

ROECO

Bearing Data

Ball Bearing Units

Bearing No. : **UCFK208**

Dimensions

H = 164

H1 = 72

L = 100

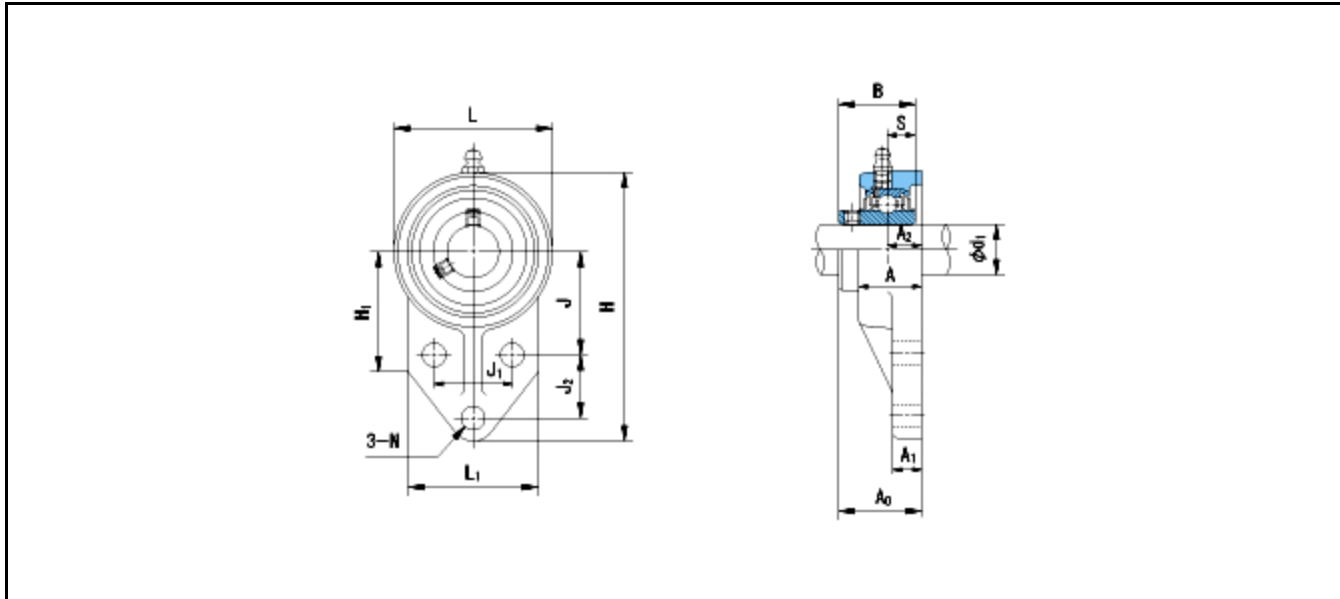
L1 = 78

J = 60

J1 = 50

J2 = 41

N = 12



Dimensions

d1 = 40

A = 36

A1 = 16

A2 = 21

A0 = 51.2

B = 49.2

S = 19

Mass = 1.7 kg

Basic Dynamic Load Rating Cr : **29300 N**

Basic Static Load Rating Cor : **17900 N**

Limiting Speed ;

Grease Lubrication : - rpm

Oil Lubrication : - rpm

INNER RING OUTER RING

O.D.Surface Runout with Side : -

Axial Runout with Bore : -

Axial Runout with Raceway : -

Width Variation : -

Radial Runout : -