

ROECO

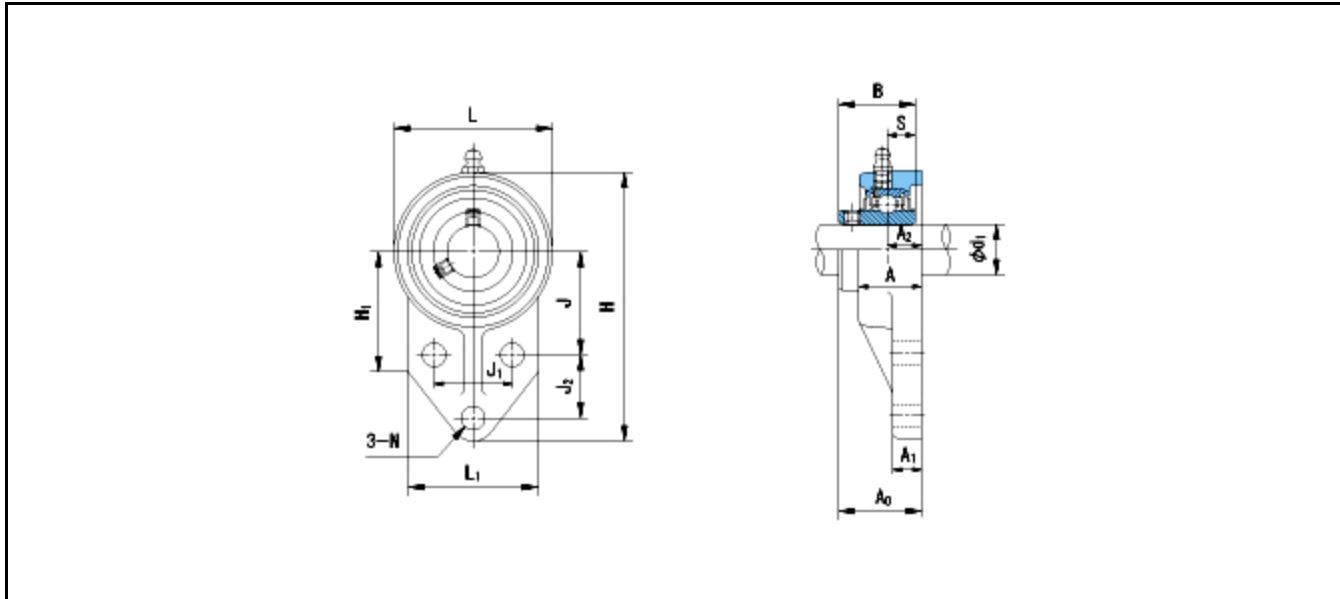
Bearing Data

Ball Bearing Units

Bearing No. : **UCFK207**

Dimensions

- H = 144
- H1 = 62
- L = 90
- L1 = 70
- J = 55
- J1 = 46
- J2 = 32
- N = 10



Dimensions

- d1 = 35
- A = 34
- A1 = 15
- A2 = 19
- A0 = 44.4
- B = 42.9
- S = 17.5
- Mass = 1.3 kg

Basic Dynamic Load Rating Cr :	25900 N		INNER RING	OUTER RING
Basic Static Load Rating Cor :	15400 N	O.D.Surface Runout with Side :		-
Limiting Speed ;		Axial Runout with Bore :	-	-
Grease Lubrication :	- rpm	Axial Runout with Raceway :	-	-
Oil Lubrication :	- rpm	Width Variation :	-	-
		Radial Runout :	-	-