

ROECO

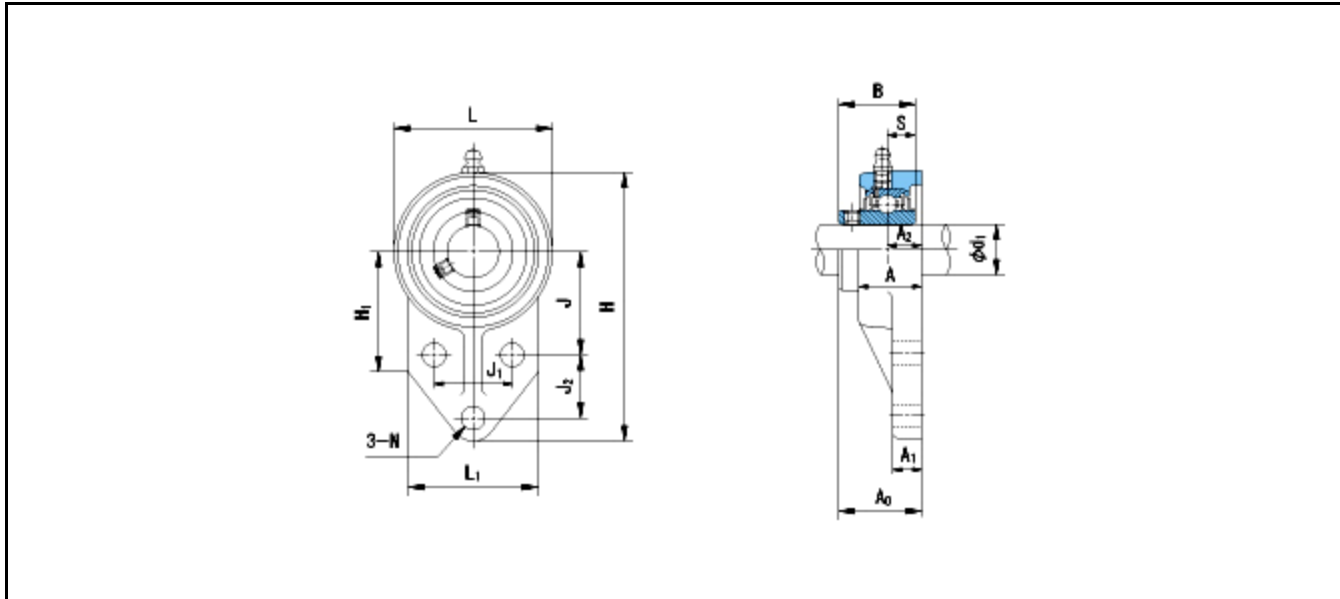
Bearing Data

Ball Bearing Units

Bearing No. : **UCFK205**

Dimensions

- H = 116
- H1 = 52
- L = 68
- L1 = 56
- J = 45
- J1 = 34
- J2 = 27
- N = 10



Dimensions

- d1 = 25
- A = 27
- A1 = 13
- A2 = 16
- A0 = 35.7
- B = 34
- S = 14.3
- Mass = 0.66 kg

| | | | |
|---------------------------------------|----------------|---------------------------------------|-------------------|
| Basic Dynamic Load Rating Cr : | 14000 N | INNER RING | OUTER RING |
| Basic Static Load Rating Cor : | 7900 N | O.D.Surface Runout with Side : | - |
| Limiting Speed ; | | Axial Runout with Bore : | - |
| Grease Lubrication : | - rpm | Axial Runout with Raceway : | - |
| Oil Lubrication : | - rpm | Width Variation : | - |
| | | Radial Runout : | - |