

ROECO

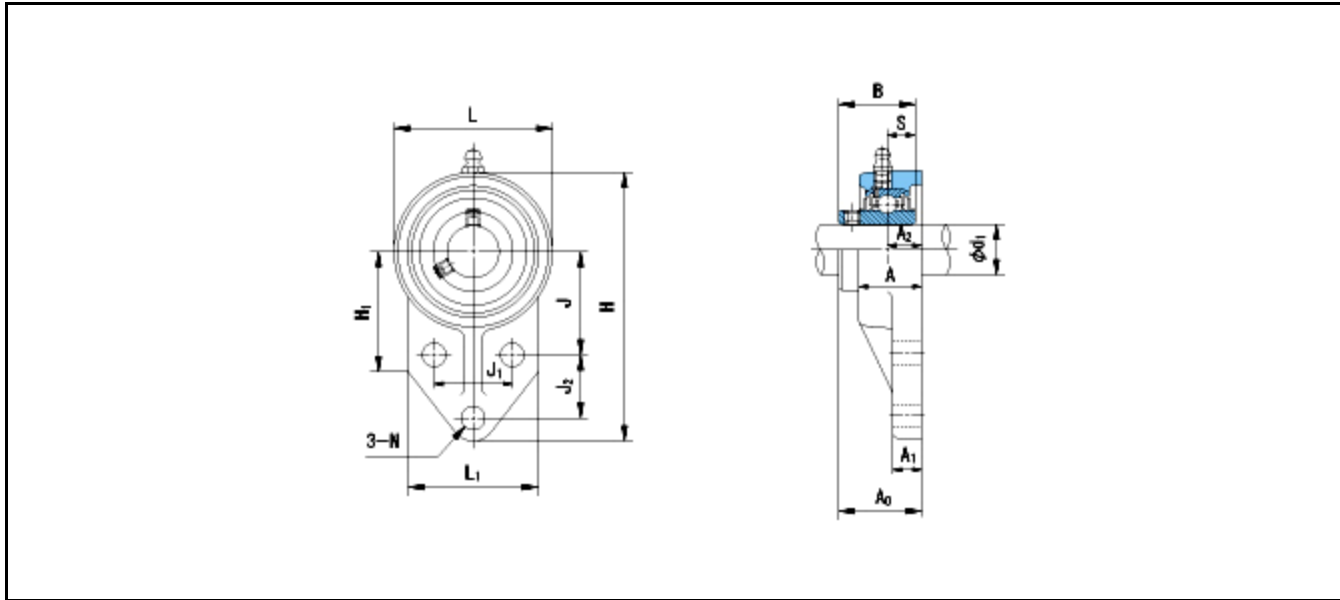
Bearing Data

Ball Bearing Units

Bearing No. : **UCFK203**

Dimensions

- H = 110
- H1 = 52
- L = 62
- L1 = 52
- J = 42
- J1 = 32
- J2 = 27
- N = 10



Dimensions

- d1 = 17
- A = 25.5
- A1 = 13
- A2 = 15
- A0 = 33.3
- B = 31
- S = 12.7
- Mass = 0.57 kg

Basic Dynamic Load Rating Cr :	12800 N	INNER RING	OUTER RING
Basic Static Load Rating Cor :	6600 N	O.D.Surface Runout with Side :	-
Limiting Speed ;		Axial Runout with Bore :	-
Grease Lubrication :	- rpm	Axial Runout with Raceway :	-
Oil Lubrication :	- rpm	Width Variation :	-
		Radial Runout :	-