

ROECO

# Bearing Data

## Ball Bearing Units

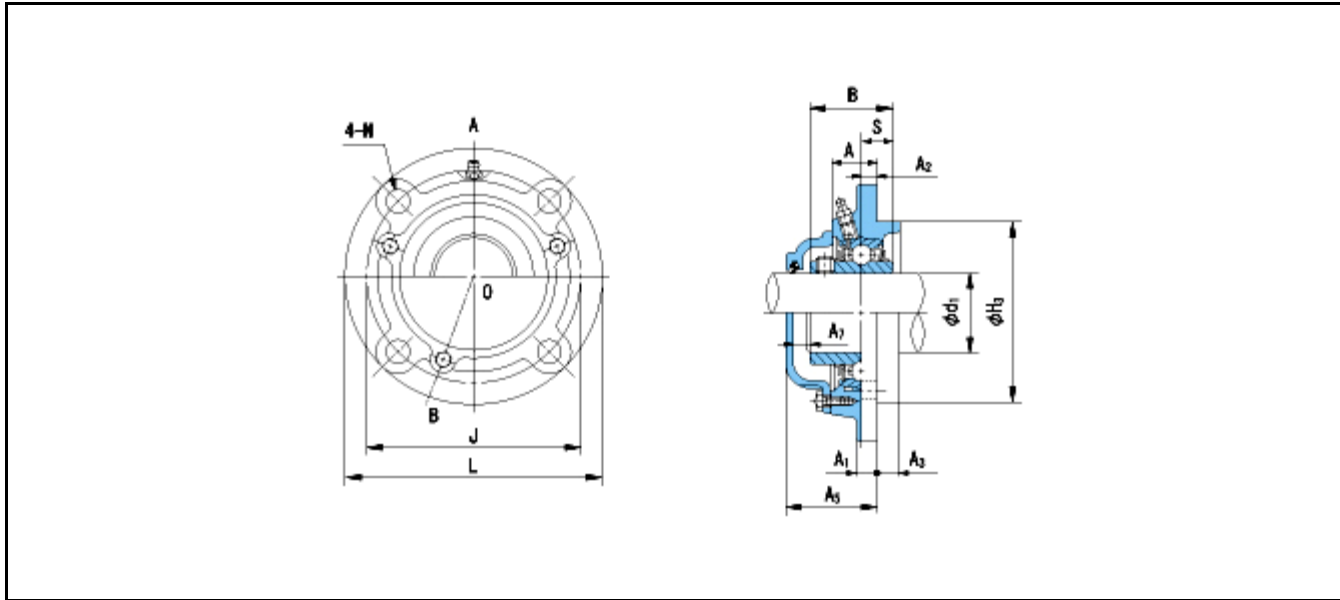
Bearing No. : **UCFCX20**

Dimensions

L = 276

J = 238

N = 23



Dimensions

d1 = 100

A = 66

A1 = 22

A2 = 22

A3 = 28

H3 = 206

B = 117.5

S = 49.2

A0 = 90.3

Mass = 15.9 kg

Basic Dynamic Load Rating Cr : **134000 N**

Basic Static Load Rating Cor : **104700 N**

Limiting Speed ;

Grease Lubrication : - rpm

Oil Lubrication : - rpm

INNER RING OUTER RING

O.D.Surface Runout with Side : -

Axial Runout with Bore : -

Axial Runout with Raceway : -

Width Variation : -

Radial Runout : -