

ROECO

Bearing Data

Ball Bearing Units

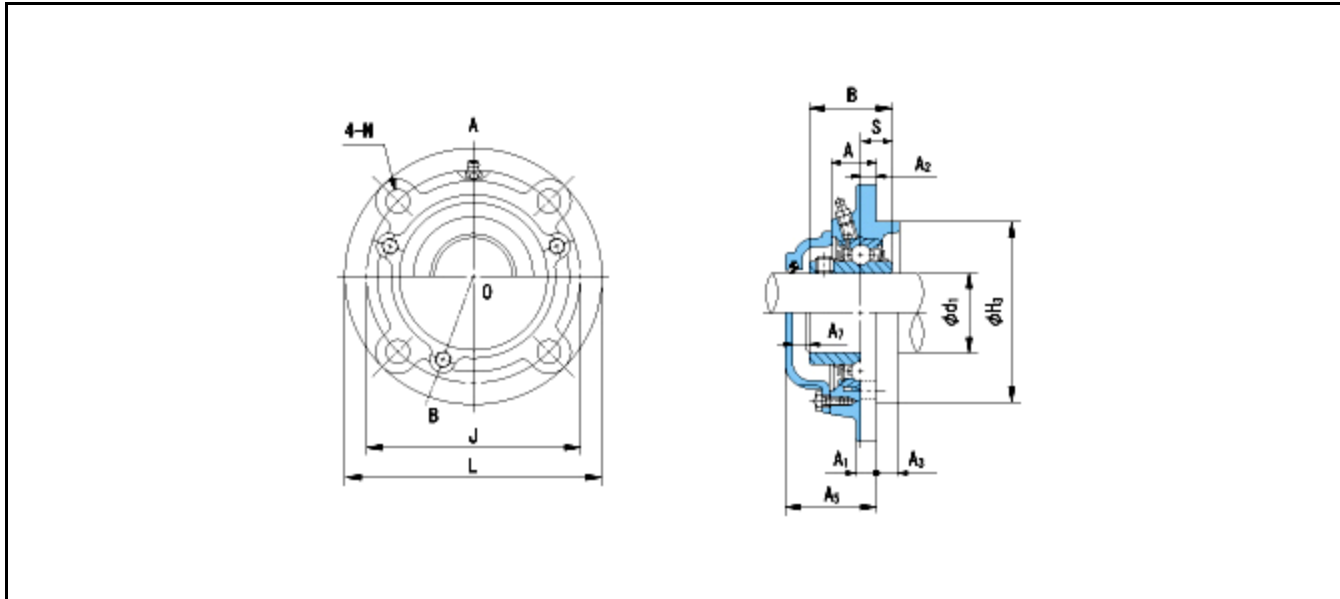
Bearing No. : **UCFCX15**

Dimensions

L = 222

J = 190

N = 19



Dimensions

d1 = 75

A = 35

A1 = 16

A2 = 12

A3 = 22

H3 = 164

B = 82.6

S = 33.3

A0 = 61.3

Mass = 7.4 kg

Basic Dynamic Load Rating Cr :	72500 N	INNER RING	OUTER RING
Basic Static Load Rating Cor :	53000 N	O.D.Surface Runout with Side :	-
Limiting Speed ;		Axial Runout with Bore :	-
Grease Lubrication :	- rpm	Axial Runout with Raceway :	-
Oil Lubrication :	- rpm	Width Variation :	-
		Radial Runout :	-