

ROECO

Bearing Data

Ball Bearing Units

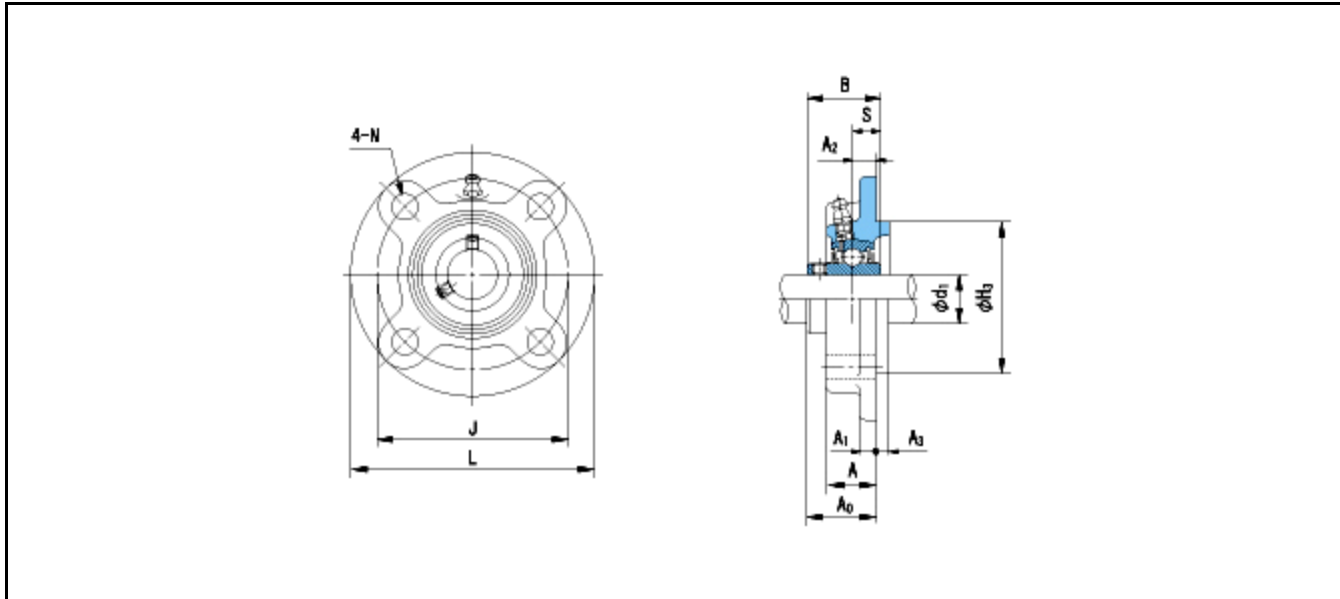
Bearing No. : **UCFCX12**

Dimensions

L = 194

J = 165

N = 16



Dimensions

d1 = 60

A = 33

A1 = 14

A2 = 11

A3 = 20

H3 = 140

B = 65.1

S = 25.4

A0 = 50.7

Mass = 4.6 kg

Basic Dynamic Load Rating Cr : **57500 N**

Basic Static Load Rating Cor : **40000 N**

Limiting Speed ;

Grease Lubrication : - rpm

Oil Lubrication : - rpm

INNER RING OUTER RING

O.D.Surface Runout with Side : -

Axial Runout with Bore : -

Axial Runout with Raceway : -

Width Variation : -

Radial Runout : -