

ROECO

Bearing Data

Ball Bearing Units

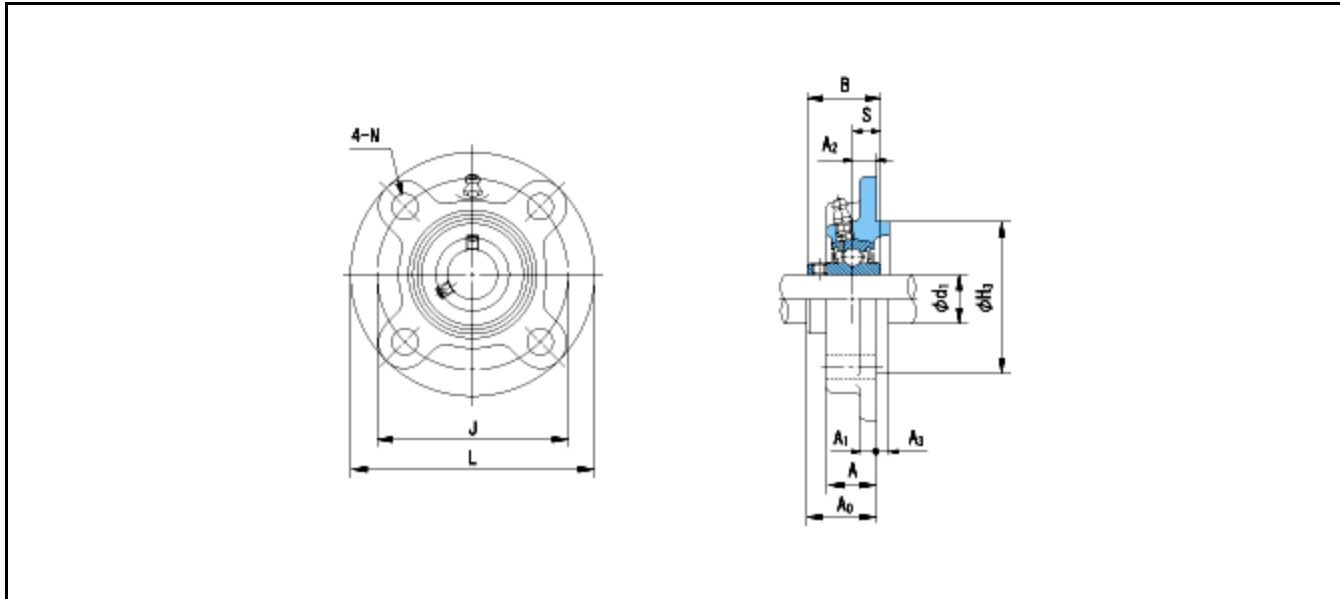
Bearing No. : **UCFCX11**

Dimensions

L = 180

J = 152

N = 16



Dimensions

d1 = 55

A = 26

A1 = 13

A2 = 4

A3 = 22

H3 = 127

B = 65.1

S = 25.4

A0 = 43.7

Mass = 4 kg

Basic Dynamic Load Rating Cr : **52500 N**

Basic Static Load Rating Cor : **36100 N**

Limiting Speed ;

Grease Lubrication : - rpm

Oil Lubrication : - rpm

INNER RING OUTER RING

O.D.Surface Runout with Side : -

Axial Runout with Bore : -

Axial Runout with Raceway : -

Width Variation : -

Radial Runout : -