

ROECO

Bearing Data

Ball Bearing Units

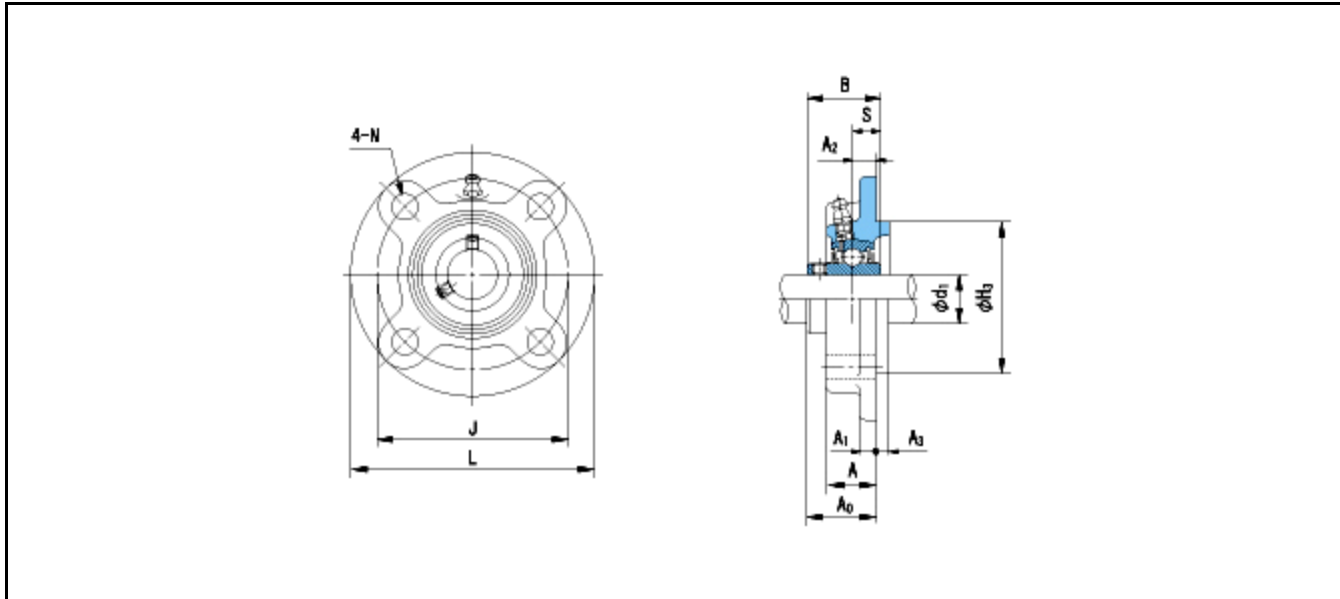
Bearing No. : **UCFCX08**

Dimensions

L = 133

J = 111

N = 12



Dimensions

d1 = 40

A = 26

A1 = 11

A2 = 9

A3 = 11

H3 = 92

B = 49.2

S = 19

A0 = 39.2

Mass = 1.8 kg

Basic Dynamic Load Rating Cr :	33000 N		
Basic Static Load Rating Cor :	20500 N	O.D.Surface Runout with Side :	-
Limiting Speed ;		Axial Runout with Bore :	-
Grease Lubrication :	- rpm	Axial Runout with Raceway :	-
Oil Lubrication :	- rpm	Width Variation :	-
		Radial Runout :	-

INNER RING OUTER RING