

ROECO

# Bearing Data

## Ball Bearing Units

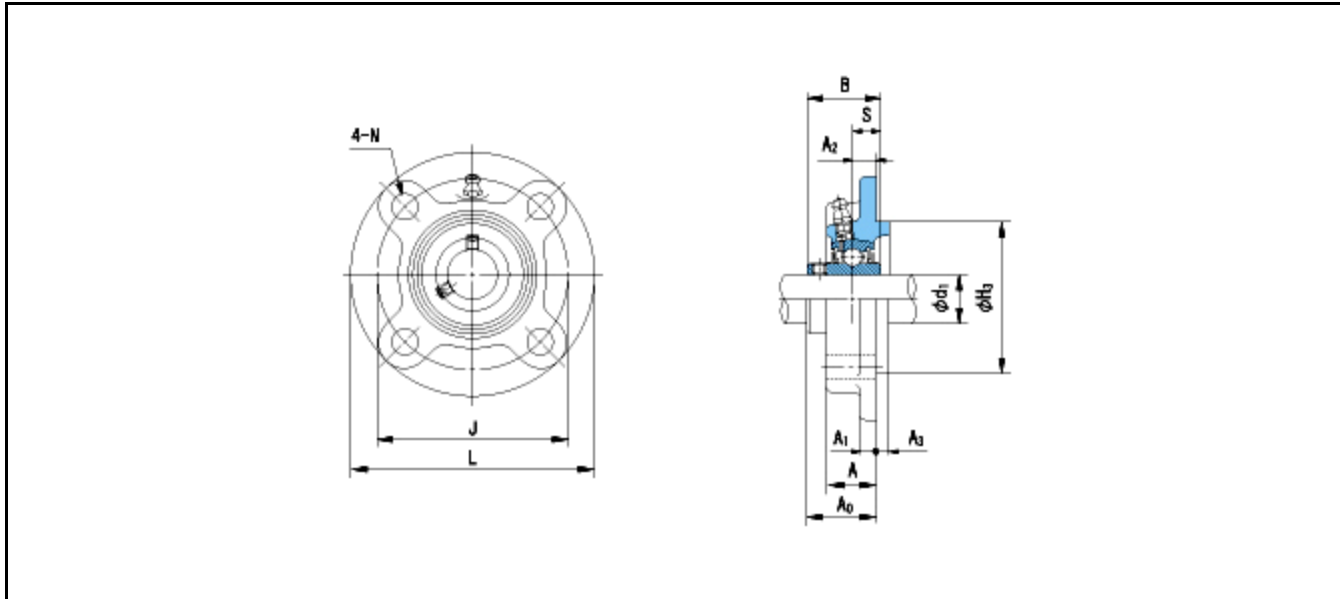
Bearing No. : **UCFCX07**

Dimensions

L = 133

J = 111

N = 12



Dimensions

d1 = 35

A = 26

A1 = 11

A2 = 9

A3 = 11

H3 = 92

B = 49.2

S = 19

A0 = 39.2

Mass = 1.8 kg

Basic Dynamic Load Rating Cr : **29300 N**

Basic Static Load Rating Cor : **17900 N**

Limiting Speed ;

Grease Lubrication : - rpm

Oil Lubrication : - rpm

**INNER RING OUTER RING**

O.D.Surface Runout with Side : -

Axial Runout with Bore : -

Axial Runout with Raceway : -

Width Variation : -

Radial Runout : -