

ROECO

Bearing Data

Ball Bearing Units

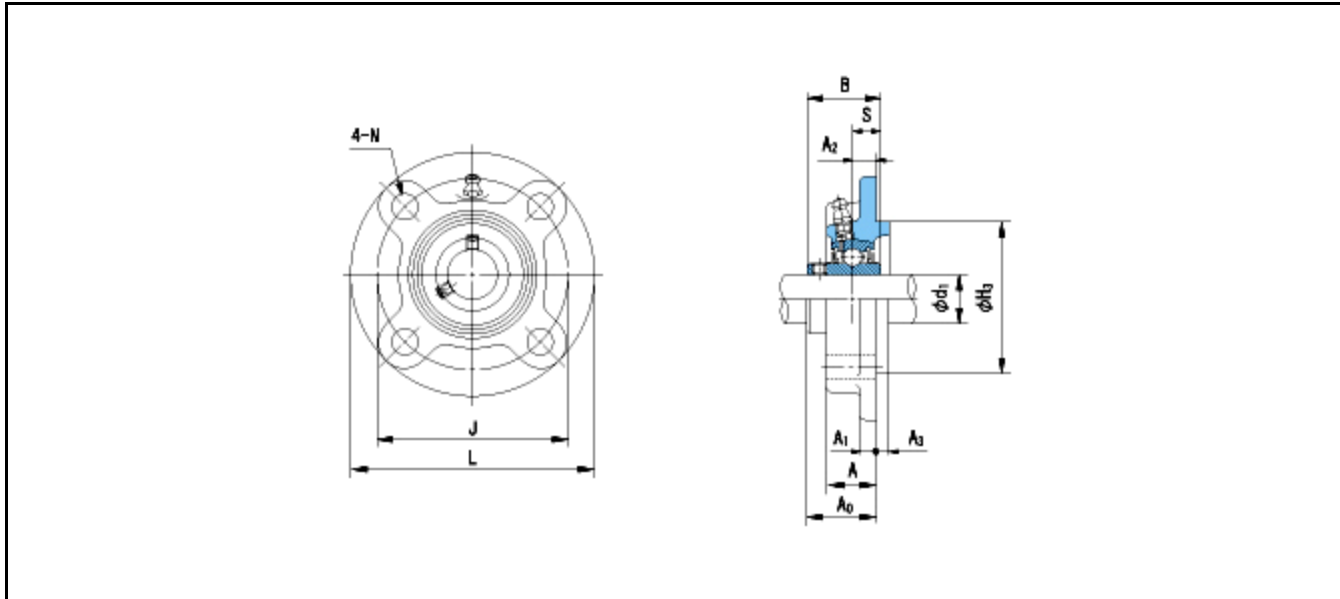
Bearing No. : **UCFCX06**

Dimensions

L = 127

J = 105

N = 12



Dimensions

d1 = 30

A = 22.5

A1 = 9.5

A2 = 8

A3 = 9.5

H3 = 85

B = 42.9

S = 17.5

A0 = 33.4

Mass = 1.4 kg

Basic Dynamic Load Rating Cr :	25900 N		
Basic Static Load Rating Cor :	15400 N	O.D.Surface Runout with Side :	-
Limiting Speed ;		Axial Runout with Bore :	-
Grease Lubrication :	- rpm	Axial Runout with Raceway :	-
Oil Lubrication :	- rpm	Width Variation :	-
		Radial Runout :	-