

ROECO

Bearing Data

Ball Bearing Units

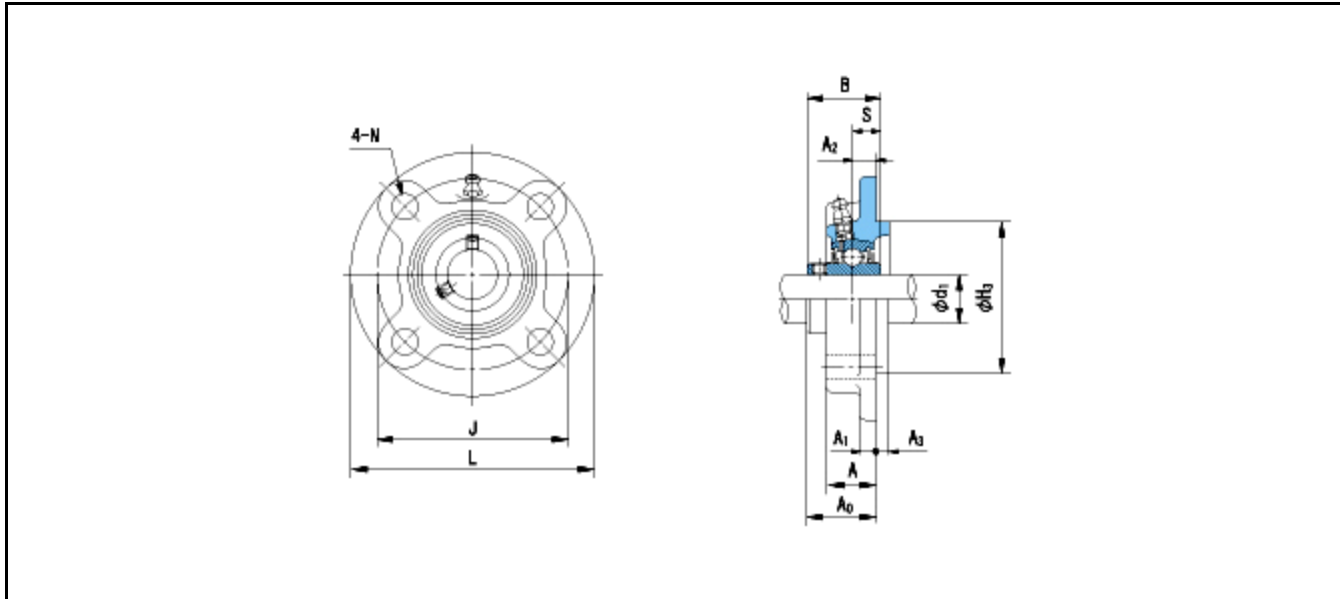
Bearing No. : **UCFCX05**

Dimensions

L = 111

J = 92

N = 9.5



Dimensions

d1 = 25

A = 24

A1 = 9.5

A2 = 10

A3 = 6

H3 = 76

B = 38.1

S = 15.9

A0 = 32.2

Mass = 1.1 kg

Basic Dynamic Load Rating Cr : **19600 N**

Basic Static Load Rating Cor : **11300 N**

Limiting Speed ;

Grease Lubrication : - rpm

Oil Lubrication : - rpm

INNER RING OUTER RING

O.D.Surface Runout with Side : -

Axial Runout with Bore : -

Axial Runout with Raceway : -

Width Variation : -

Radial Runout : -