

ROECO

Bearing Data

Ball Bearing Units

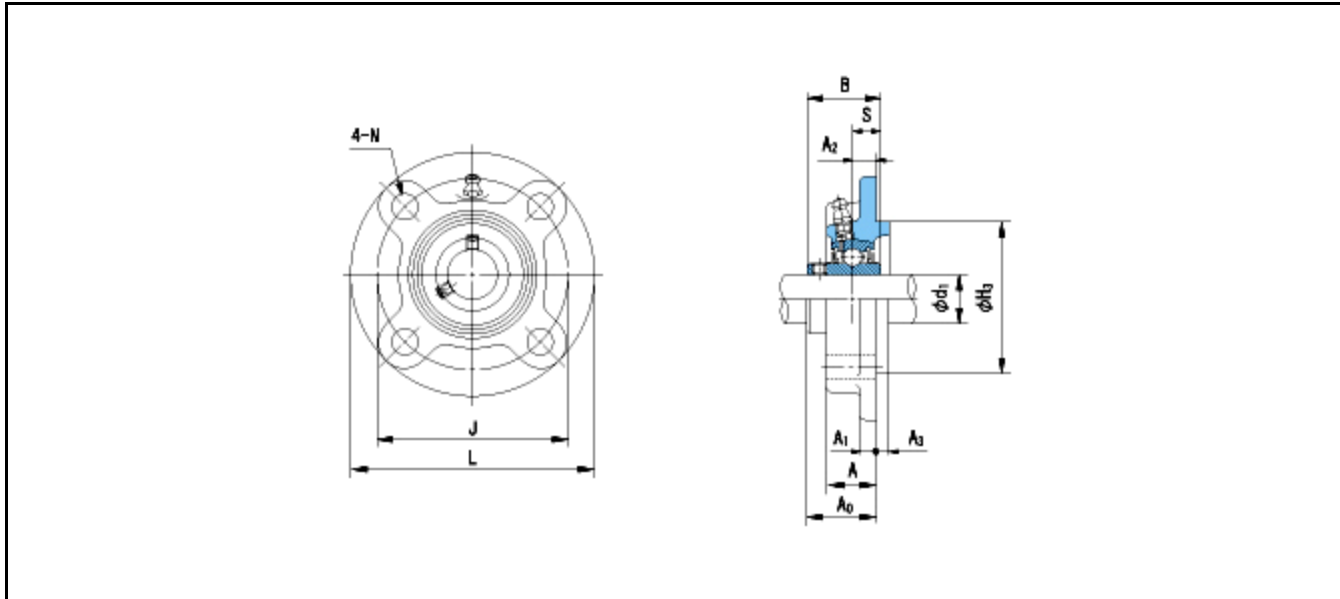
Bearing No. : **UCFC214**

Dimensions

L = 215

J = 177

N = 19



Dimensions

d1 = 70

A = 40

A1 = 18

A2 = 17

A3 = 14

H3 = 150

B = 74.6

S = 30.2

A0 = 61.4

Mass = 6.8 kg

Basic Dynamic Load Rating Cr : **62000 N**

Basic Static Load Rating Cor : **44000 N**

Limiting Speed ;

Grease Lubrication : - rpm

Oil Lubrication : - rpm

INNER RING OUTER RING

O.D.Surface Runout with Side : -

Axial Runout with Bore : -

Axial Runout with Raceway : -

Width Variation : -

Radial Runout : -