

ROECO

Bearing Data

Ball Bearing Units

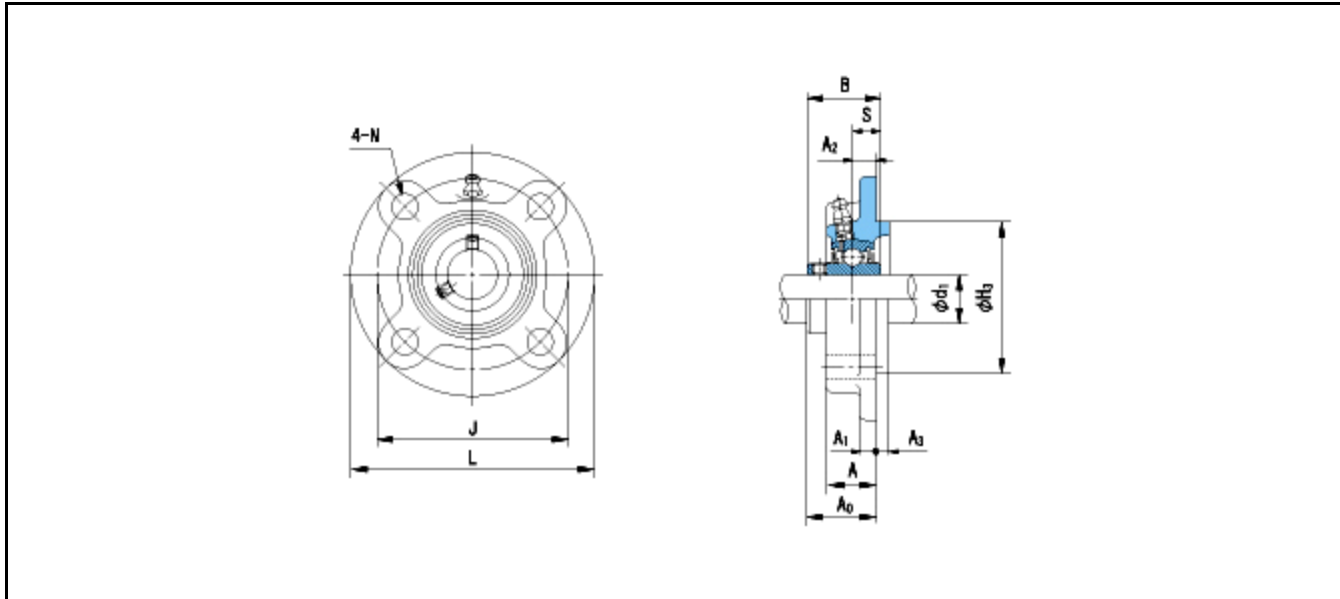
Bearing No. : UCFC210

Dimensions

L = 165

J = 138

N = 16



Dimensions

d1 = 50

A = 28

A1 = 14

A2 = 10

A3 = 12

H3 = 110

B = 51.6

S = 19

A0 = 42.6

Mass = 3.1 kg

Basic Dynamic Load Rating Cr : **35500 N**

Basic Static Load Rating Cor : **23200 N**

Limiting Speed ;

Grease Lubrication : - rpm

Oil Lubrication : - rpm

INNER RING OUTER RING

O.D.Surface Runout with Side : -

Axial Runout with Bore : -

Axial Runout with Raceway : -

Width Variation : -

Radial Runout : -