

ROECO

Bearing Data

Ball Bearing Units

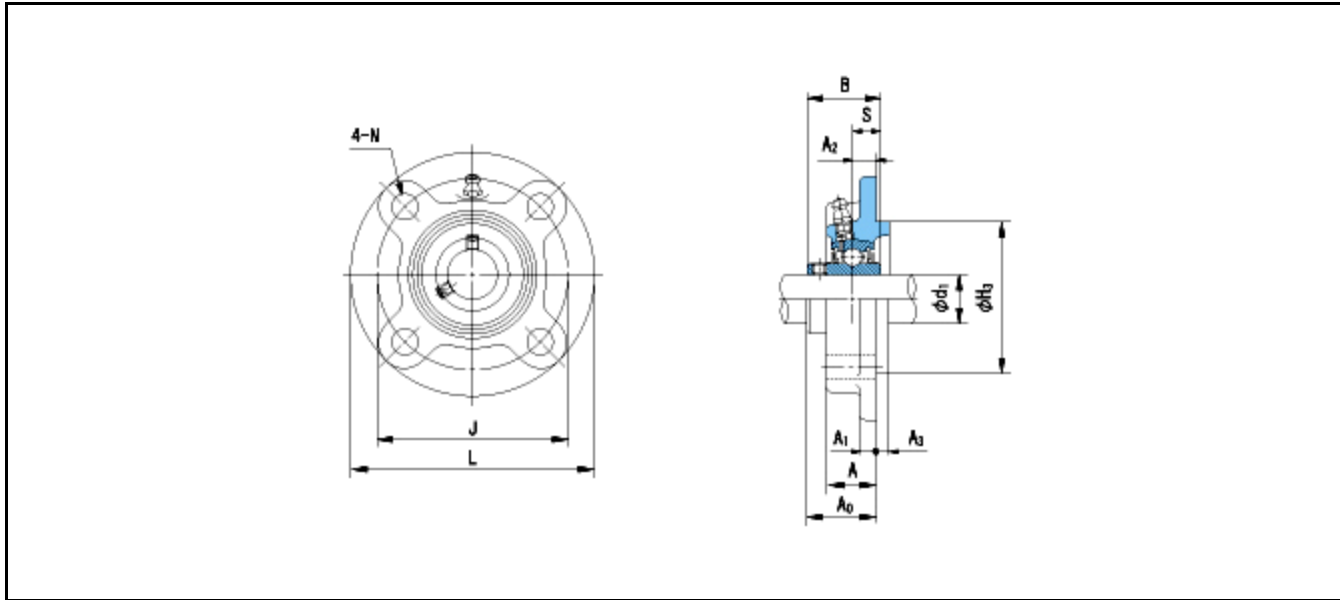
Bearing No. : **UCFC206**

Dimensions

L = 125

J = 100

N = 12



Dimensions

d1 = 30

A = 23

A1 = 8

A2 = 10

A3 = 8

H3 = 80

B = 38.1

S = 15.9

A0 = 32.2

Mass = 1.5 kg

Basic Dynamic Load Rating Cr :	19600 N			
Basic Static Load Rating Cor :	11300 N			
Limiting Speed ;				
Grease Lubrication :	- rpm			
Oil Lubrication :	- rpm			
			INNER RING	OUTER RING
		O.D.Surface Runout with Side :	-	-
		Axial Runout with Bore :	-	-
		Axial Runout with Raceway :	-	-
		Width Variation :	-	-
		Radial Runout :	-	-