

ROECO

Bearing Data

Ball Bearing Units

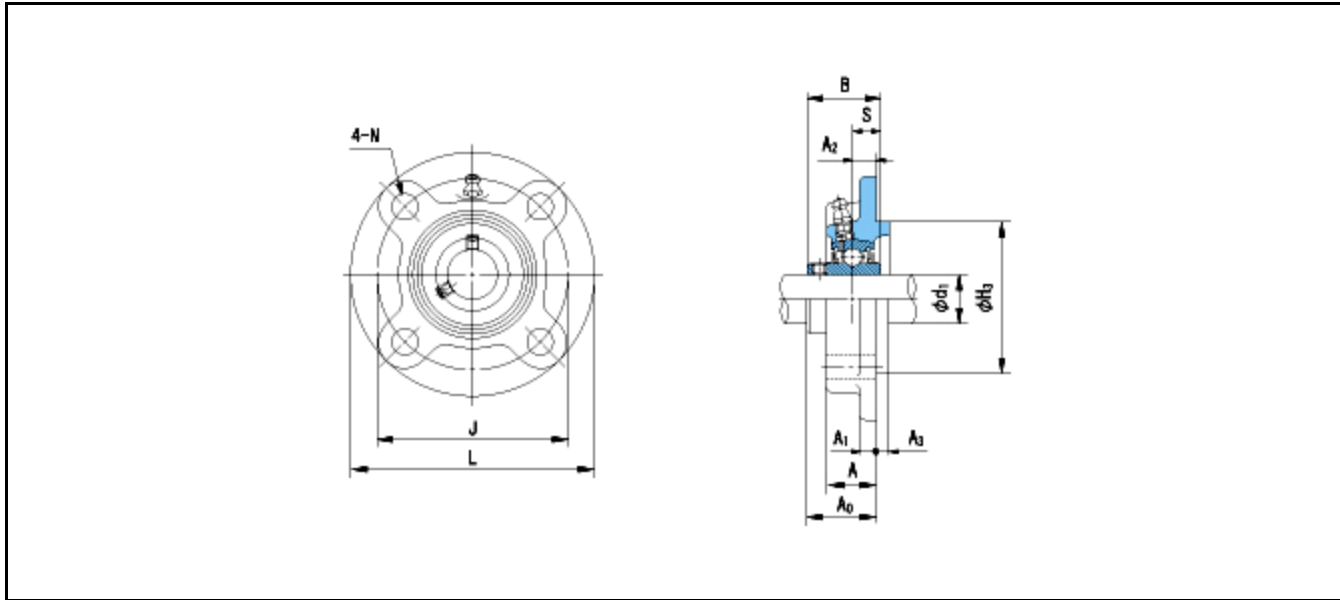
Bearing No. : **UCFC201**

Dimensions

L = 100

J = 78

N = 12



Dimensions

d1 = 12

A = 20.5

A1 = 7

A2 = 10

A3 = 5

H3 = 62

B = 31

S = 12.7

A0 = 28.3

Mass = 0.89 kg

Basic Dynamic Load Rating Cr :	12800 N	INNER RING	OUTER RING
Basic Static Load Rating Cor :	6600 N	O.D.Surface Runout with Side :	-
Limiting Speed ;		Axial Runout with Bore :	-
Grease Lubrication :	- rpm	Axial Runout with Raceway :	-
Oil Lubrication :	- rpm	Width Variation :	-
		Radial Runout :	-