

ROECO

Bearing Data

Ball Bearing Units

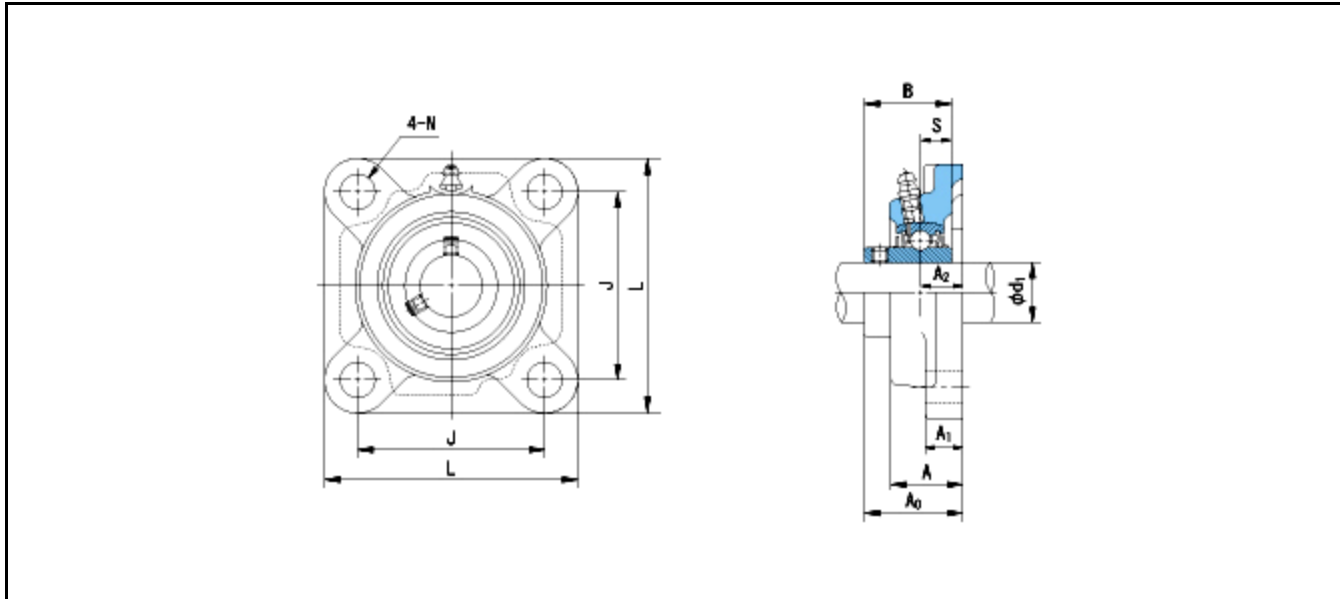
Bearing No. : **UCF328**

Dimensions

L = 450

J = 350

N = 41



Dimensions

d1 = 140

A1 = 55

A2 = 75

B = 145

S = 59

A = 125

A0 = 161

Mass = 87 kg

Basic Dynamic Load Rating Cr :	255000 N		INNER RING	OUTER RING
Basic Static Load Rating Cor :	246000 N	O.D.Surface Runout with Side :	-	-
Limiting Speed ;		Axial Runout with Bore :	-	-
Grease Lubrication :	- rpm	Axial Runout with Raceway :	-	-
Oil Lubrication :	- rpm	Width Variation :	-	-
		Radial Runout :	-	-