

ROECO

Bearing Data

Ball Bearing Units

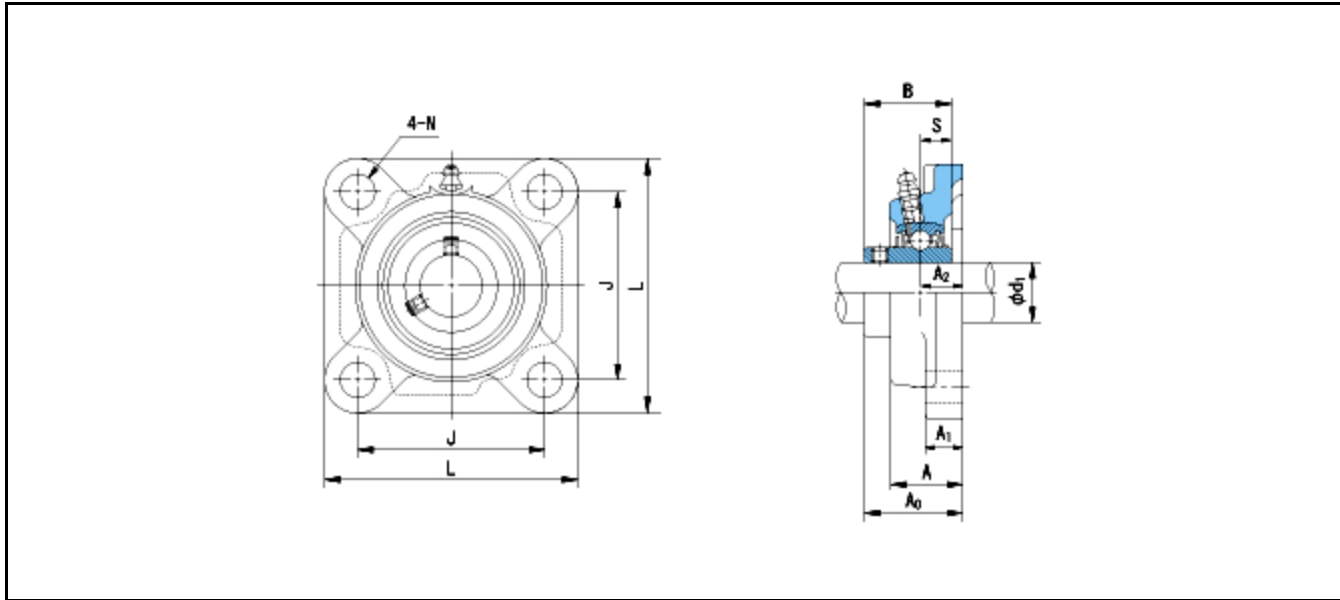
Bearing No. : **UCF326**

Dimensions

L = 410

J = 320

N = 41



Dimensions

d1 = 130

A1 = 45

A2 = 65

B = 135

S = 54

A = 115

A0 = 146

Mass = 62.7 kg

Basic Dynamic Load Rating Cr :	229000 N			
Basic Static Load Rating Cor :	214300 N	O.D.Surface Runout with Side :		-
Limiting Speed ;		Axial Runout with Bore :	-	
Grease Lubrication :	- rpm	Axial Runout with Raceway :	-	-
Oil Lubrication :	- rpm	Width Variation :	-	-
		Radial Runout :	-	-