

ROECO

Bearing Data

Ball Bearing Units

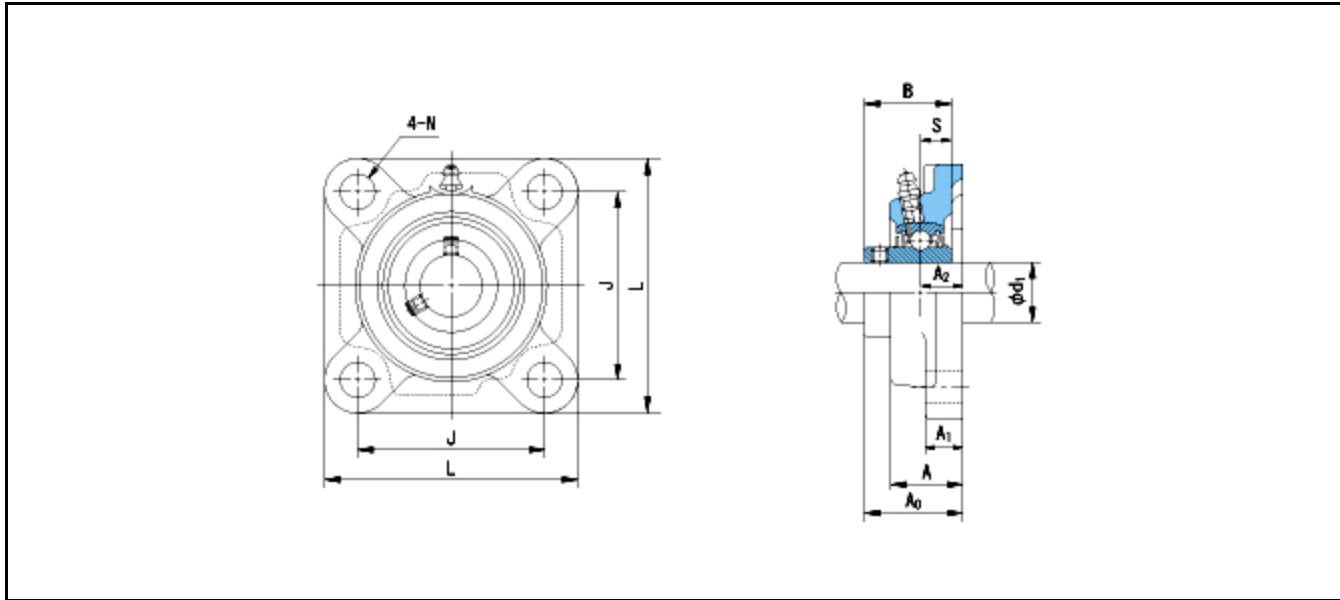
Bearing No. : **UCF321**

Dimensions

L = 310

J = 242

N = 38



Dimensions

d1 = 105

A1 = 32

A2 = 59

B = 112

S = 44

A = 94

A0 = 127

Mass = 25.6 kg

Basic Dynamic Load Rating Cr :	183000 N				
Basic Static Load Rating Cor :	153100 N	O.D.Surface Runout with Side :			-
Limiting Speed ;		Axial Runout with Bore :			-
Grease Lubrication :	- rpm	Axial Runout with Raceway :			-
Oil Lubrication :	- rpm	Width Variation :			-
		Radial Runout :			-