

ROECO

Bearing Data

Ball Bearing Units

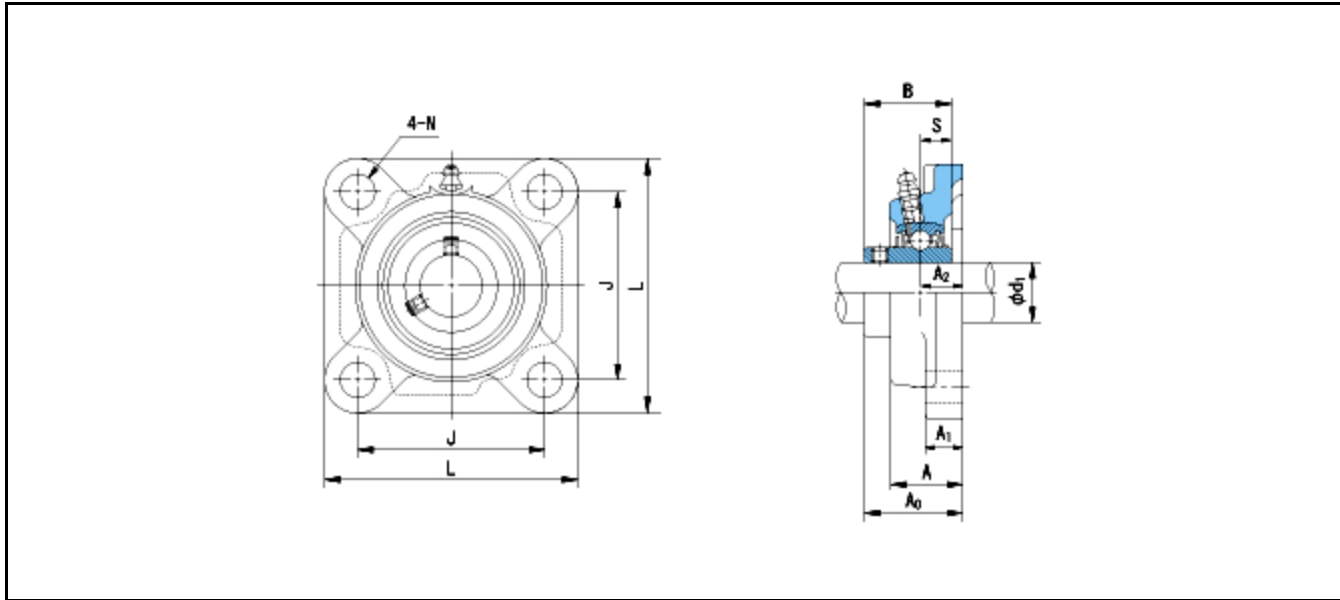
Bearing No. : **UCF320**

Dimensions

L = 310

J = 242

N = 38



Dimensions

d1 = 100

A1 = 32

A2 = 59

B = 108

S = 42

A = 94

A0 = 125

Mass = 24.8 kg

Basic Dynamic Load Rating Cr : **173000 N**

Basic Static Load Rating Cor : **140400 N**

Limiting Speed ;

Grease Lubrication : - rpm

Oil Lubrication : - rpm

INNER RING OUTER RING

O.D.Surface Runout with Side : -

Axial Runout with Bore : -

Axial Runout with Raceway : -

Width Variation : -

Radial Runout : -