

ROECO

# Bearing Data

## Ball Bearing Units

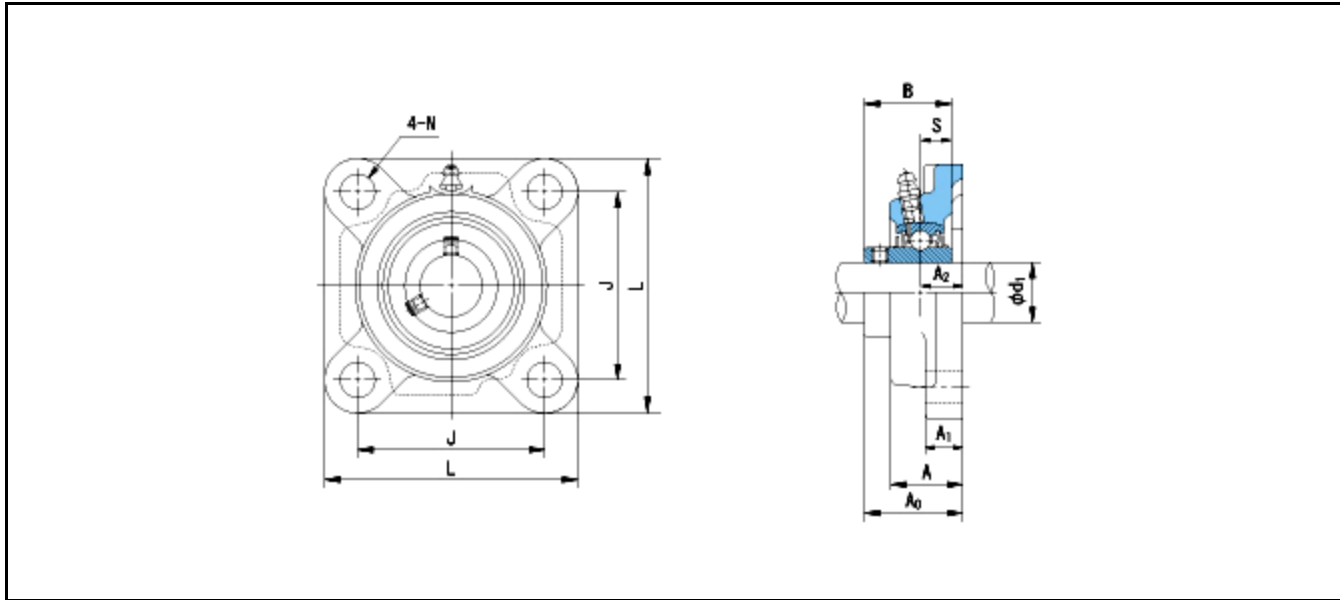
Bearing No. : **UCF318**

Dimensions

L = 280

J = 216

N = 35



Dimensions

d1 = 90

A1 = 30

A2 = 44

B = 96

S = 40

A = 76

A0 = 100

Mass = 18.8 kg

<b>Basic Dynamic Load Rating Cr :</b>	<b>143000 N</b>			
<b>Basic Static Load Rating Cor :</b>	<b>107200 N</b>	<b>O.D.Surface Runout with Side :</b>		<b>-</b>
<b>Limiting Speed ;</b>		<b>Axial Runout with Bore :</b>		<b>-</b>
<b>Grease Lubrication :</b>	- rpm	<b>Axial Runout with Raceway :</b>		<b>-</b>
<b>Oil Lubrication :</b>	- rpm	<b>Width Variation :</b>		<b>-</b>
		<b>Radial Runout :</b>		<b>-</b>