

ROECO

# Bearing Data

## Ball Bearing Units

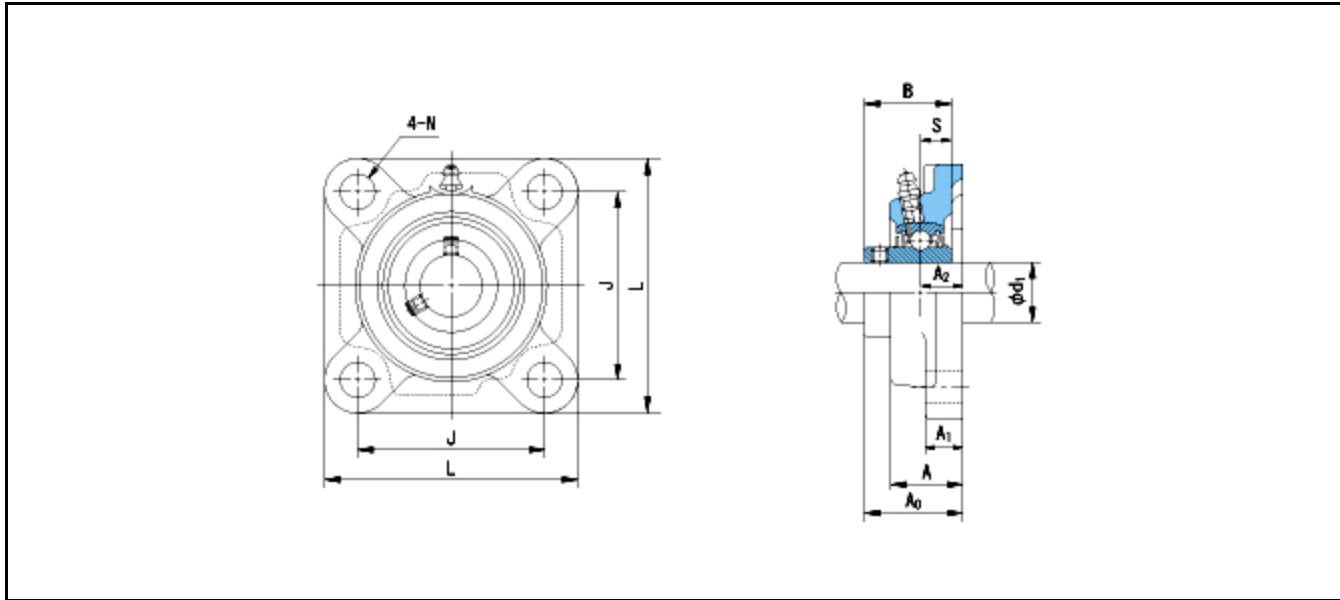
Bearing No. : **UCF316**

Dimensions

L = 250

J = 196

N = 31



Dimensions

d1 = 80

A1 = 27

A2 = 38

B = 86

S = 34

A = 68

A0 = 90

Mass = 13.7 kg

Basic Dynamic Load Rating Cr :	<b>123000 N</b>				
Basic Static Load Rating Cor :	<b>86400 N</b>	O.D.Surface Runout with Side :			-
Limiting Speed ;		Axial Runout with Bore :			-
Grease Lubrication :	- rpm	Axial Runout with Raceway :			-
Oil Lubrication :	- rpm	Width Variation :			-
		Radial Runout :			-