

ROECO

Bearing Data

Ball Bearing Units

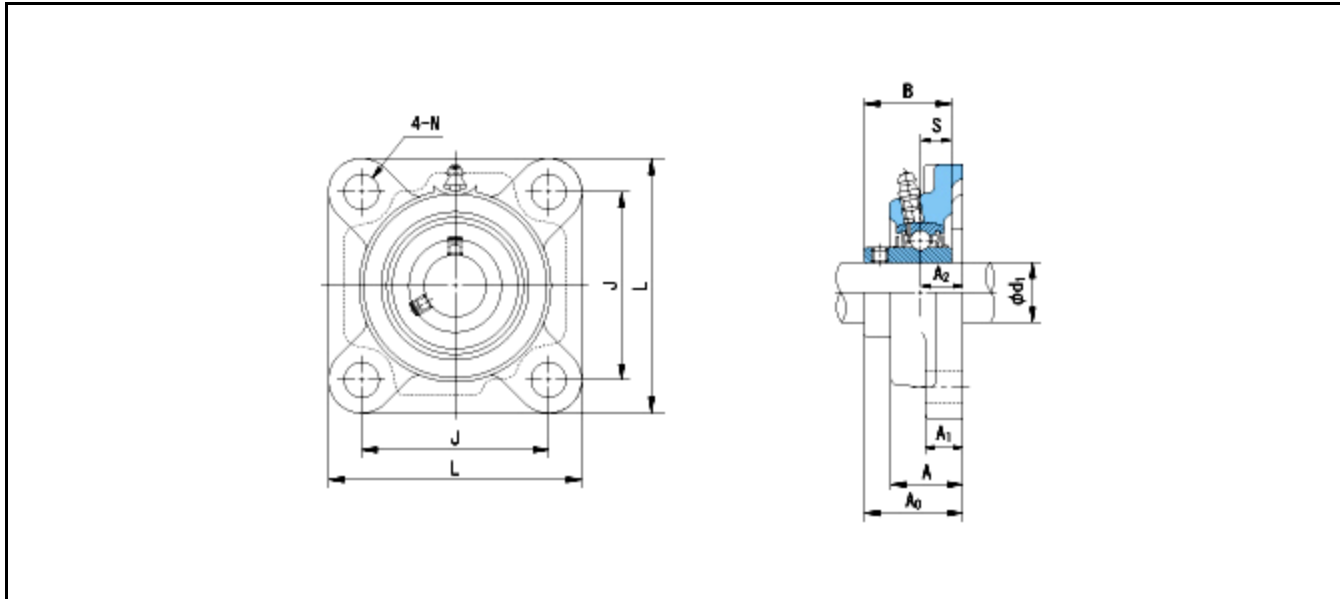
Bearing No. : **UCF307**

Dimensions

L = 135

J = 100

N = 19



Dimensions

d1 = 35

A1 = 16

A2 = 20

B = 48

S = 19

A = 36

A0 = 49

Mass = 2.1 kg

| | | | | | |
|--------------------------------|----------------|--------------------------------|--|--|---|
| Basic Dynamic Load Rating Cr : | 33500 N | | | | |
| Basic Static Load Rating Cor : | 19200 N | O.D.Surface Runout with Side : | | | - |
| Limiting Speed ; | | Axial Runout with Bore : | | | - |
| Grease Lubrication : | - rpm | Axial Runout with Raceway : | | | - |
| Oil Lubrication : | - rpm | Width Variation : | | | - |
| | | Radial Runout : | | | - |