

ROECO

Bearing Data

Ball Bearing Units

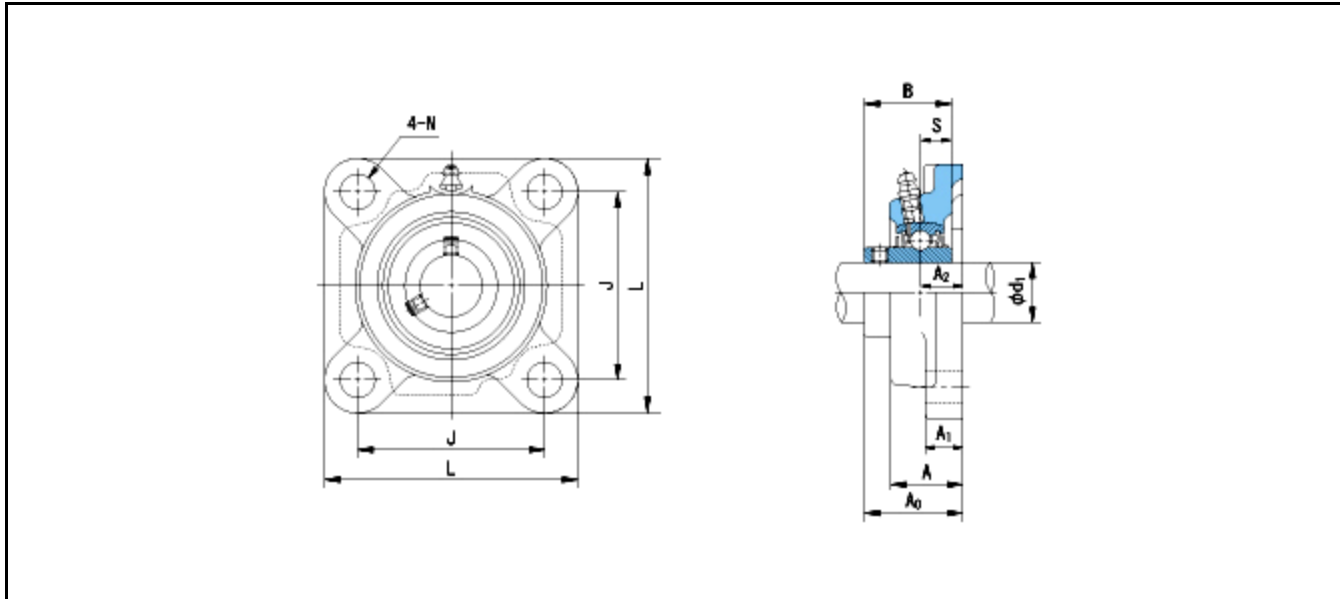
Bearing No. : **UCF217**

Dimensions

L = 220

J = 175

N = 23



Dimensions

d1 = 85

A1 = 26

A2 = 36

B = 85.7

S = 34.1

A = 63

A0 = 87.6

Mass = 9.3 kg

Basic Dynamic Load Rating Cr :	83500 N				
Basic Static Load Rating Cor :	61800 N	O.D.Surface Runout with Side :			-
Limiting Speed ;		Axial Runout with Bore :			-
Grease Lubrication :	- rpm	Axial Runout with Raceway :			-
Oil Lubrication :	- rpm	Width Variation :			-
		Radial Runout :			-