

ROECO

Bearing Data

Ball Bearing Units

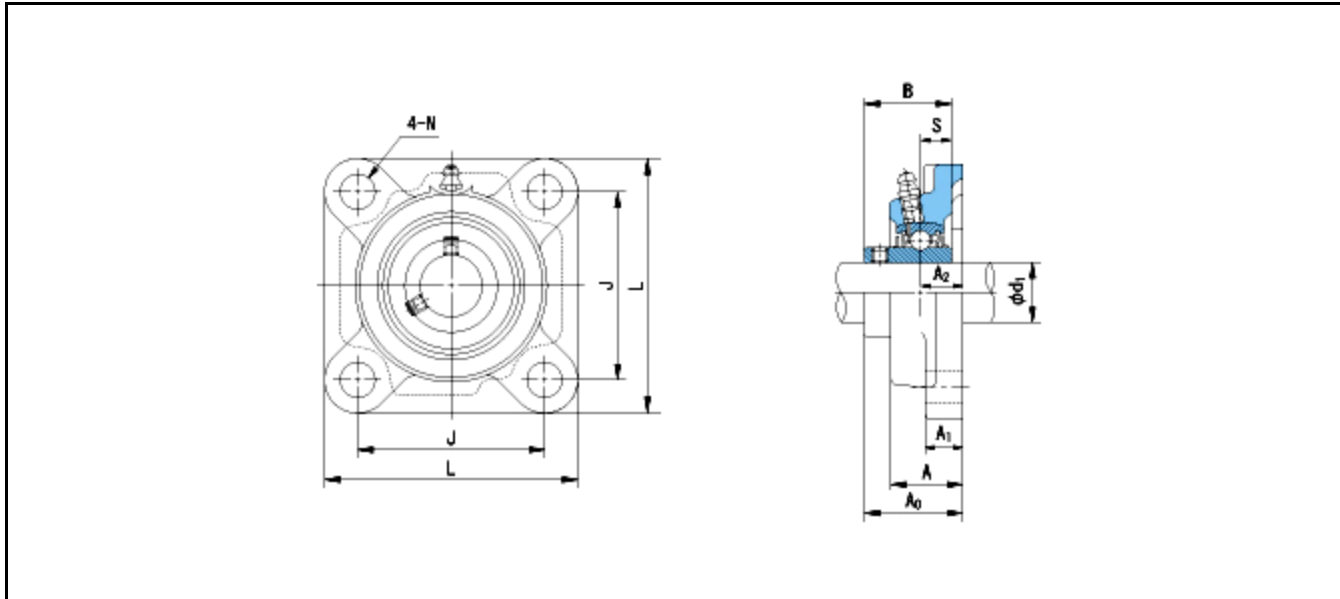
Bearing No. : **UCF214**

Dimensions

L = 193

J = 152

N = 19



Dimensions

d1 = 70

A1 = 24

A2 = 31

B = 74.6

S = 30.2

A = 54

A0 = 75.4

Mass = 6.1 kg

Basic Dynamic Load Rating Cr :	62000 N			
Basic Static Load Rating Cor :	44000 N			
Limiting Speed ;				
Grease Lubrication :	- rpm			
Oil Lubrication :	- rpm			
			INNER RING	OUTER RING
		O.D.Surface Runout with Side :	-	-
		Axial Runout with Bore :	-	-
		Axial Runout with Raceway :	-	-
		Width Variation :	-	-
		Radial Runout :	-	-