

ROECO

# Bearing Data

## Ball Bearing Units

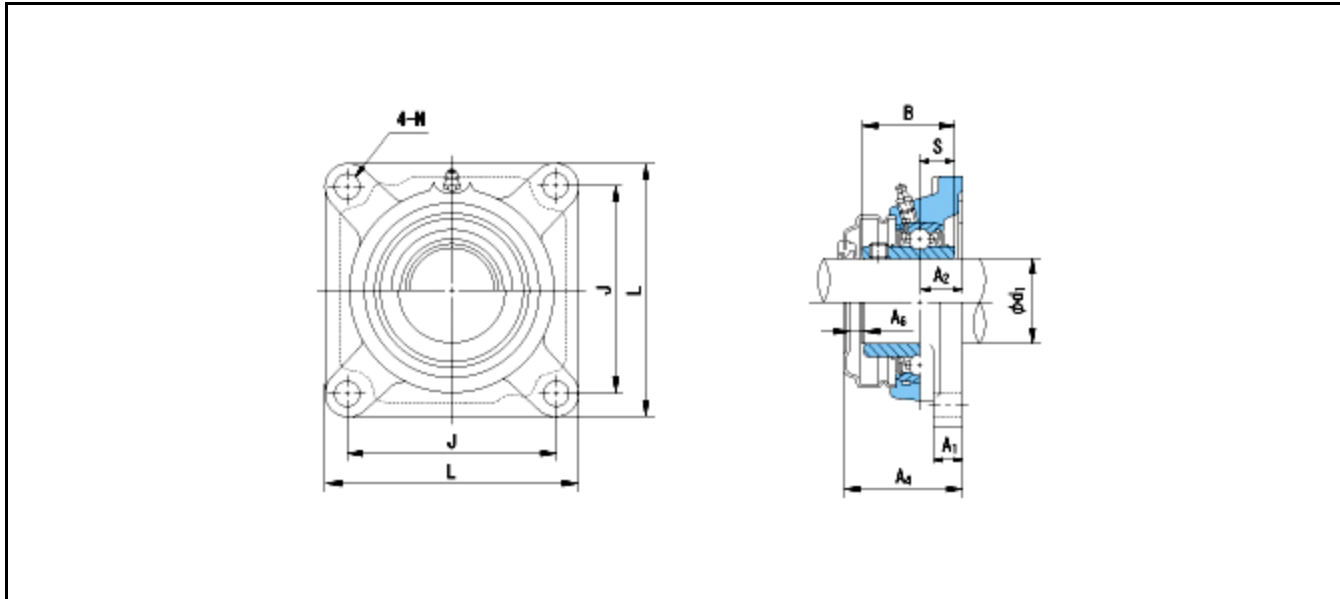
Bearing No. : **UCF213E**

Dimensions

L = 187

J = 149

N = 19



Dimensions

d1 = 65

A1 = 20

A2 = 30

B = 65.1

S = 25.4

A4 = 81

A6 = 10

Mass = 5.8 kg

Basic Dynamic Load Rating Cr :	<b>57500 N</b>		
Basic Static Load Rating Cor :	<b>40000 N</b>	O.D.Surface Runout with Side :	-
Limiting Speed ;		Axial Runout with Bore :	-
Grease Lubrication :	- rpm	Axial Runout with Raceway :	-
Oil Lubrication :	- rpm	Width Variation :	-
		Radial Runout :	-