

ROECO

Bearing Data

Ball Bearing Units

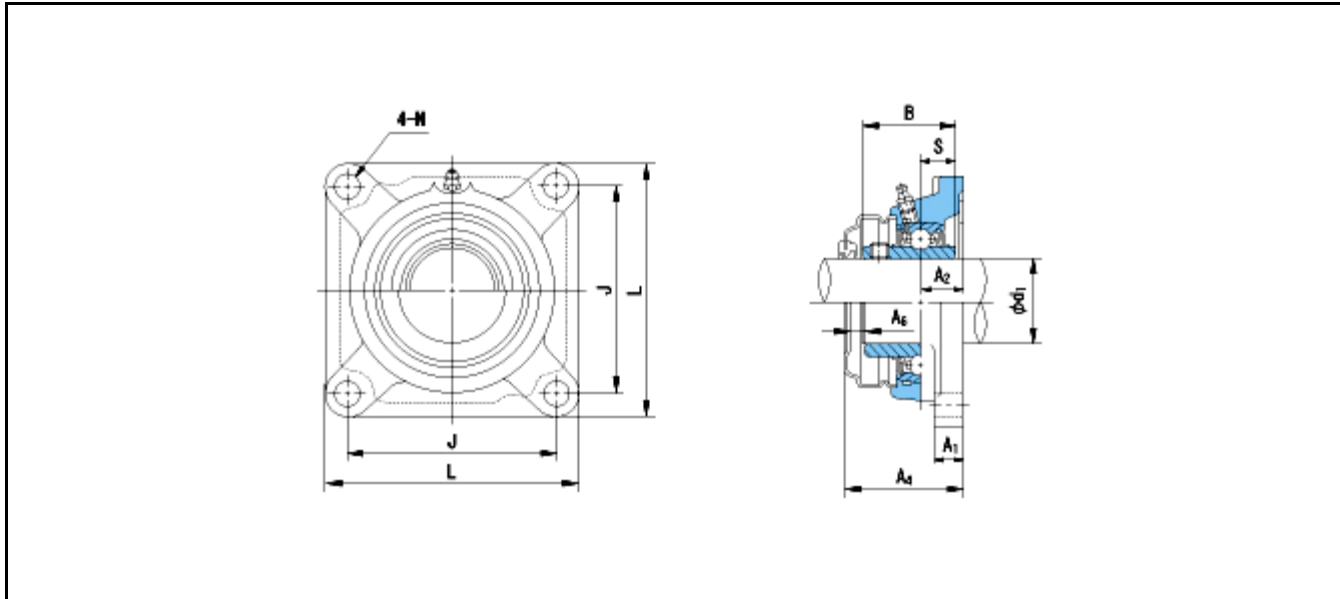
Bearing No. : **UCF212C**

Dimensions

L = 175

J = 143

N = 19



Dimensions

d1 = 60

A1 = 20

A2 = 29

B = 65.1

S = 25.4

A4 = 80

A6 = 10

Mass = 4.8 kg

Basic Dynamic Load Rating Cr :	52500 N				
Basic Static Load Rating Cor :	36100 N	O.D.Surface Runout with Side :			-
Limiting Speed ;		Axial Runout with Bore :			-
Grease Lubrication :	- rpm	Axial Runout with Raceway :			-
Oil Lubrication :	- rpm	Width Variation :			-
		Radial Runout :			-