

ROECO

# Bearing Data

## Ball Bearing Units

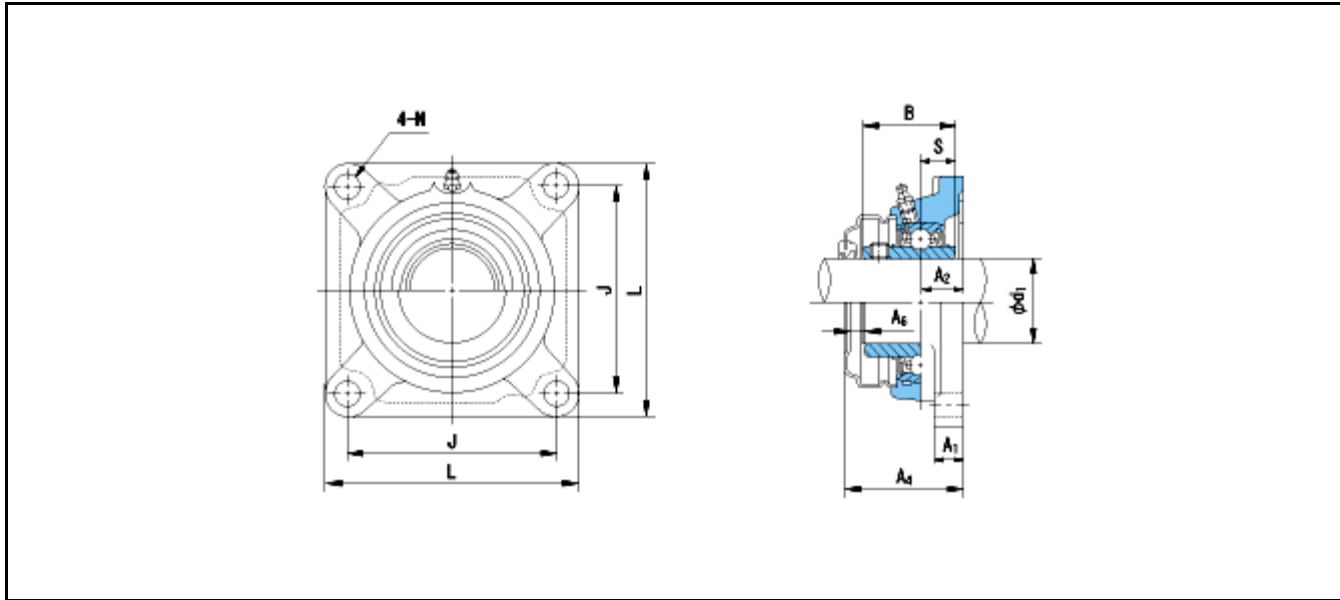
Bearing No. : **UCF210C**

Dimensions

L = 143

J = 111

N = 16



Dimensions

d1 = 50

A1 = 18

A2 = 22

B = 51.6

S = 19

A4 = 66

A6 = 9

Mass = 2.6 kg

Basic Dynamic Load Rating Cr :	<b>35500 N</b>		
Basic Static Load Rating Cor :	<b>23200 N</b>	O.D.Surface Runout with Side :	-
Limiting Speed ;		Axial Runout with Bore :	-
Grease Lubrication :	- rpm	Axial Runout with Raceway :	-
Oil Lubrication :	- rpm	Width Variation :	-
		Radial Runout :	-