

ROECO

Bearing Data

Ball Bearing Units

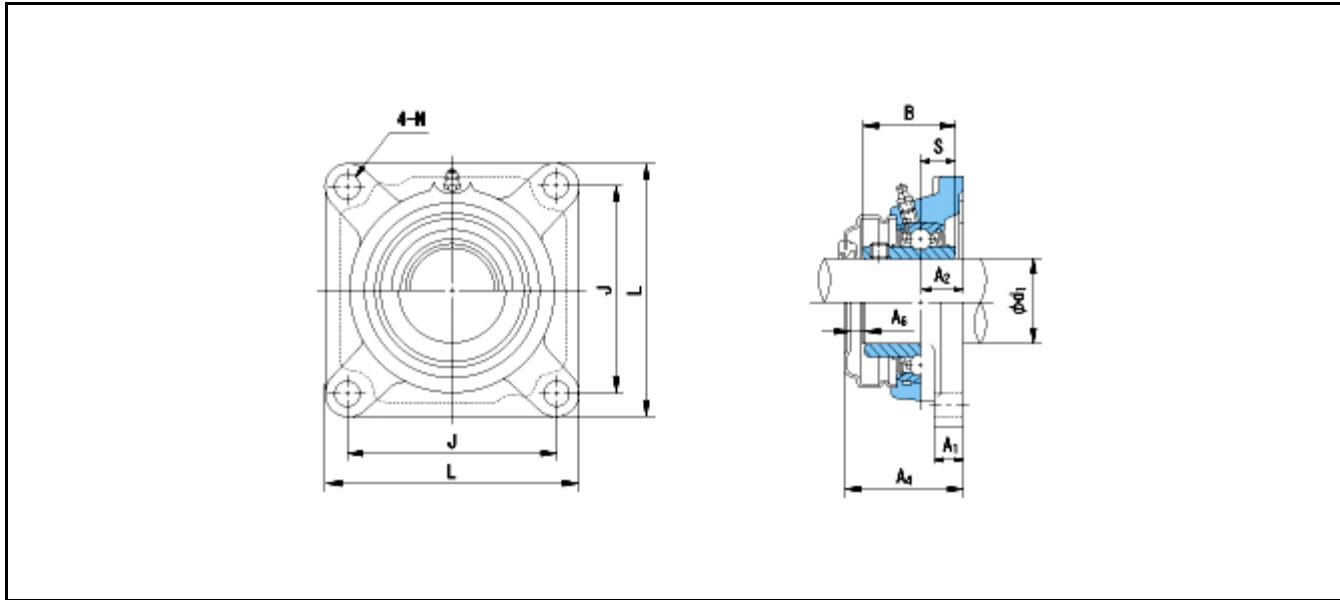
Bearing No. : **UCF209C**

Dimensions

L = 137

J = 105

N = 16



Dimensions

d1 = 45

A1 = 18

A2 = 22

B = 49.2

S = 19

A4 = 63

A6 = 10

Mass = 2.5 kg

Basic Dynamic Load Rating Cr :	33000 N			
Basic Static Load Rating Cor :	20500 N			
Limiting Speed ;				
Grease Lubrication :	- rpm			
Oil Lubrication :	- rpm			
			INNER RING	OUTER RING
		O.D.Surface Runout with Side :	-	-
		Axial Runout with Bore :	-	-
		Axial Runout with Raceway :	-	-
		Width Variation :	-	-
		Radial Runout :	-	-