

ROECO

Bearing Data

Ball Bearing Units

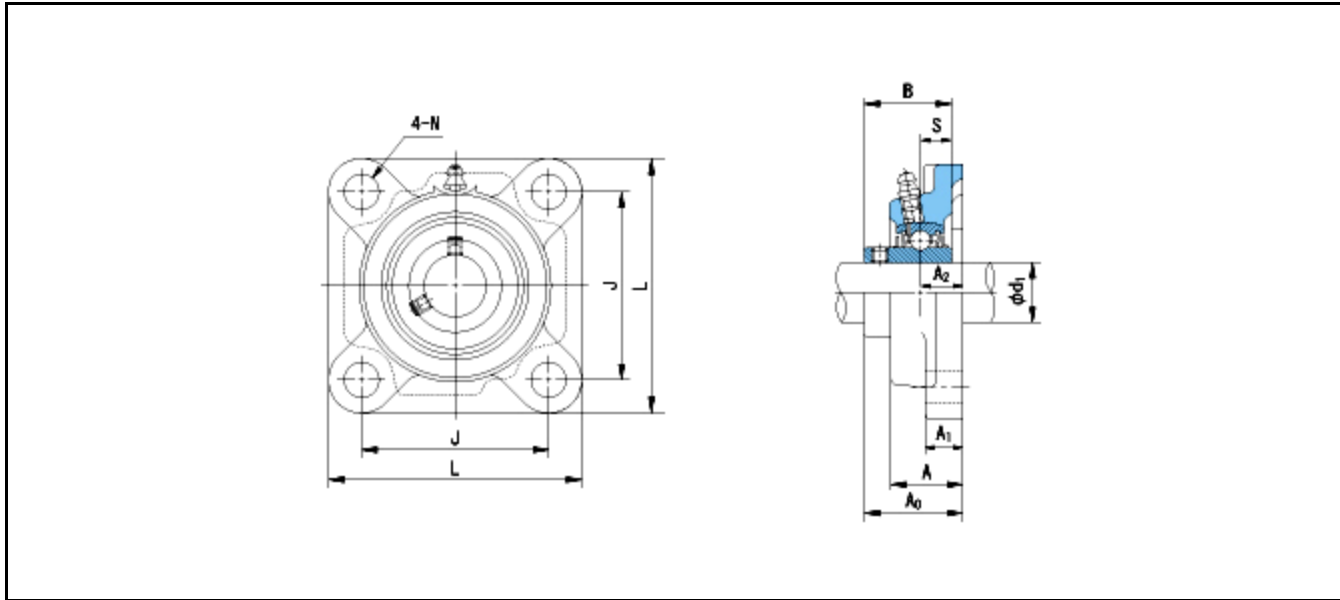
Bearing No. : **UCF208**

Dimensions

L = 130

J = 102

N = 16



Dimensions

d1 = 40

A1 = 16

A2 = 21

B = 49.2

S = 19

A = 36

A0 = 51.2

Mass = 2 kg

Basic Dynamic Load Rating Cr :	29300 N				
Basic Static Load Rating Cor :	17900 N	O.D.Surface Runout with Side :			INNER RING OUTER RING
Limiting Speed ;		Axial Runout with Bore :	-		-
Grease Lubrication :	- rpm	Axial Runout with Raceway :	-		-
Oil Lubrication :	- rpm	Width Variation :	-		-
		Radial Runout :	-		-