

ROECO

Bearing Data

Ball Bearing Units

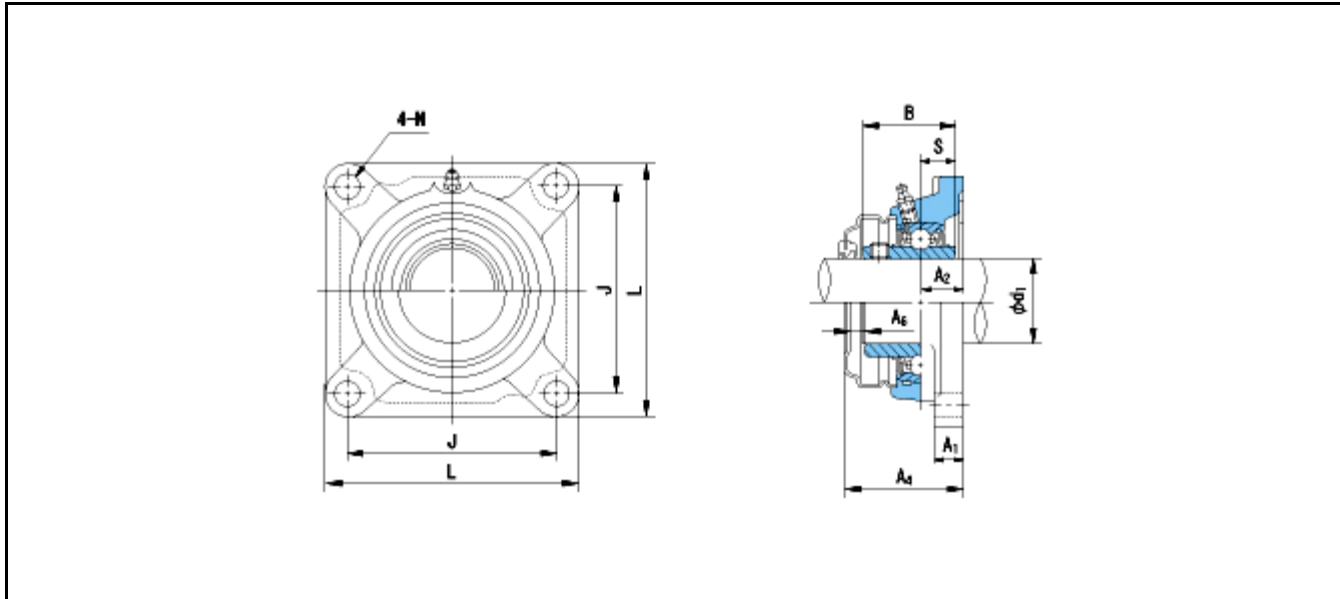
Bearing No. : **UCF204E**

Dimensions

L = 86

J = 64

N = 12



Dimensions

d1 = 20

A1 = 12

A2 = 15

B = 31

S = 12.7

A4 = 43

A6 = 8

Mass = 0.62 kg

| | | | | | |
|--------------------------------|----------------|--------------------------------|--|--|---|
| Basic Dynamic Load Rating Cr : | 12800 N | | | | |
| Basic Static Load Rating Cor : | 6600 N | O.D.Surface Runout with Side : | | | - |
| Limiting Speed ; | | Axial Runout with Bore : | | | - |
| Grease Lubrication : | - rpm | Axial Runout with Raceway : | | | - |
| Oil Lubrication : | - rpm | Width Variation : | | | - |
| | | Radial Runout : | | | - |