

ROECO

# Bearing Data

## Ball Bearing Units

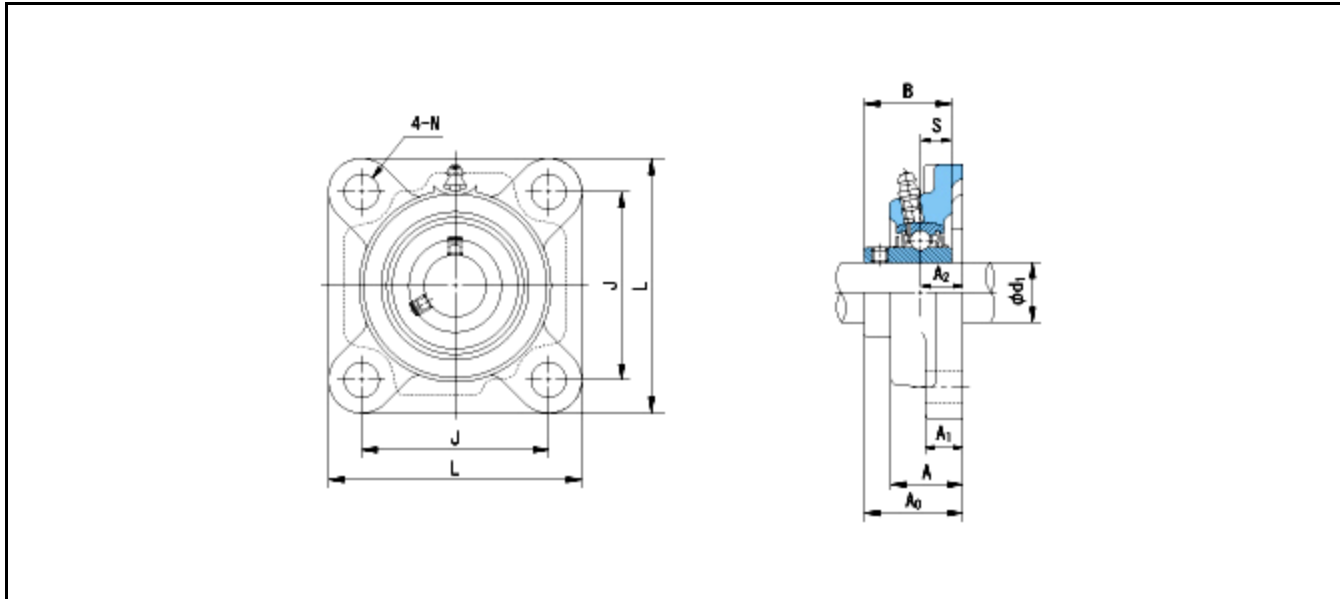
Bearing No. : **UCF204**

Dimensions

L = 86

J = 64

N = 12



Dimensions

d1 = 20

A1 = 12

A2 = 15

B = 31

S = 12.7

A = 25.5

A0 = 33.3

Mass = 0.59 kg

<b>Basic Dynamic Load Rating Cr :</b>	<b>12800 N</b>			
<b>Basic Static Load Rating Cor :</b>	<b>6600 N</b>	<b>O.D.Surface Runout with Side :</b>		<b>-</b>
<b>Limiting Speed ;</b>		<b>Axial Runout with Bore :</b>		<b>-</b>
<b>Grease Lubrication :</b>	<b>- rpm</b>	<b>Axial Runout with Raceway :</b>		<b>-</b>
<b>Oil Lubrication :</b>	<b>- rpm</b>	<b>Width Variation :</b>		<b>-</b>
		<b>Radial Runout :</b>		<b>-</b>