

ROECO

Bearing Data

Ball Bearing Units

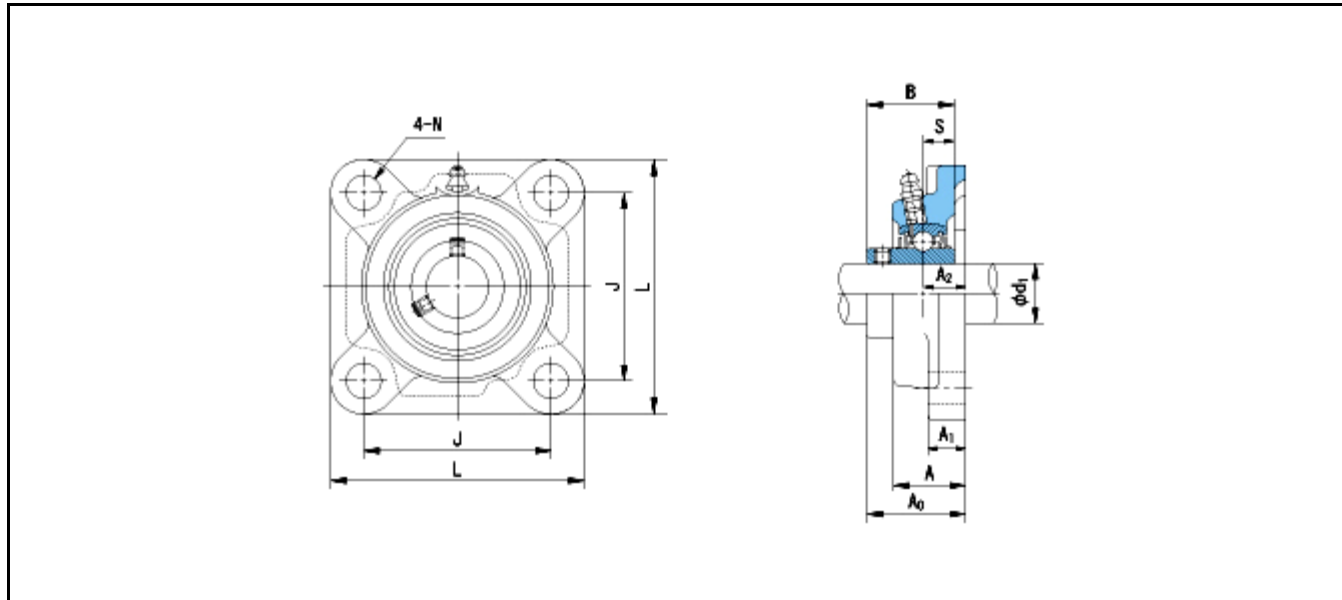
Bearing No. : **UCF201**

Dimensions

L = 86

J = 64

N = 12



Dimensions

d₁ = 12

A₁ = 12

A₂ = 15

B = 31

S = 12.7

A = 25.5

A₀ = 33.3

Mass = 0.64 kg

| | | | |
|---------------------------------------|----------------|---------------------------------------|----------|
| Basic Dynamic Load Rating Cr : | 12800 N | | |
| Basic Static Load Rating Cor : | 6600 N | O.D.Surface Runout with Side : | - |
| Limiting Speed ; | | Axial Runout with Bore : | - |
| Grease Lubrication : | - rpm | Axial Runout with Raceway : | - |
| Oil Lubrication : | - rpm | Width Variation : | - |
| | | Radial Runout : | - |