

ROECO

Bearing Data

Ball Bearing Units

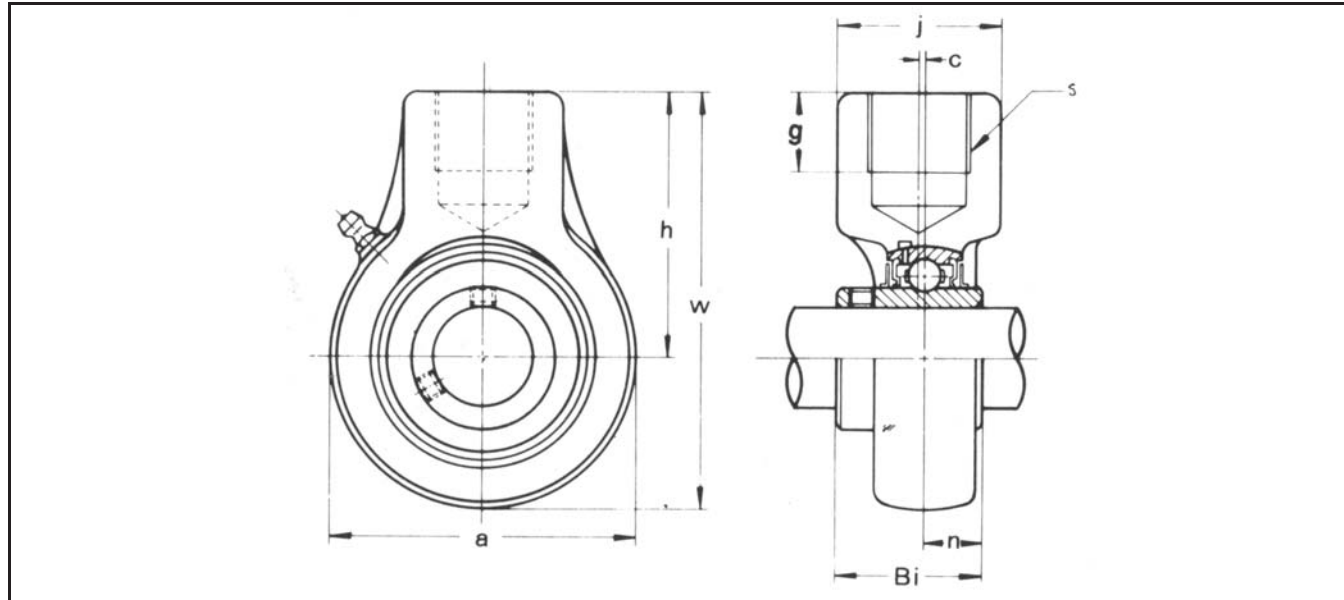
Bearing No. : **UCECH212**

Dimensions

Bi = 65.1

n = 25.4

c = 9



Dimensions

d1 = 60

a = 142

w = 173

h = 102

j = 60

s = PF 1 1/4

g = 28

Mass = 4.20 kg

Basic Dynamic Load Rating Cr : **53500** N

Basic Static Load Rating Cor : **33000** N

Limiting Speed ;

Grease Lubrication : - rpm

Oil Lubrication : - rpm

INNER RING OUTER RING

O.D.Surface Runout with Side : -

Axial Runout with Bore : -

Axial Runout with Raceway : -

Width Variation : -

Radial Runout : -