

ROECO

# Bearing Data

## Ball Bearing Units

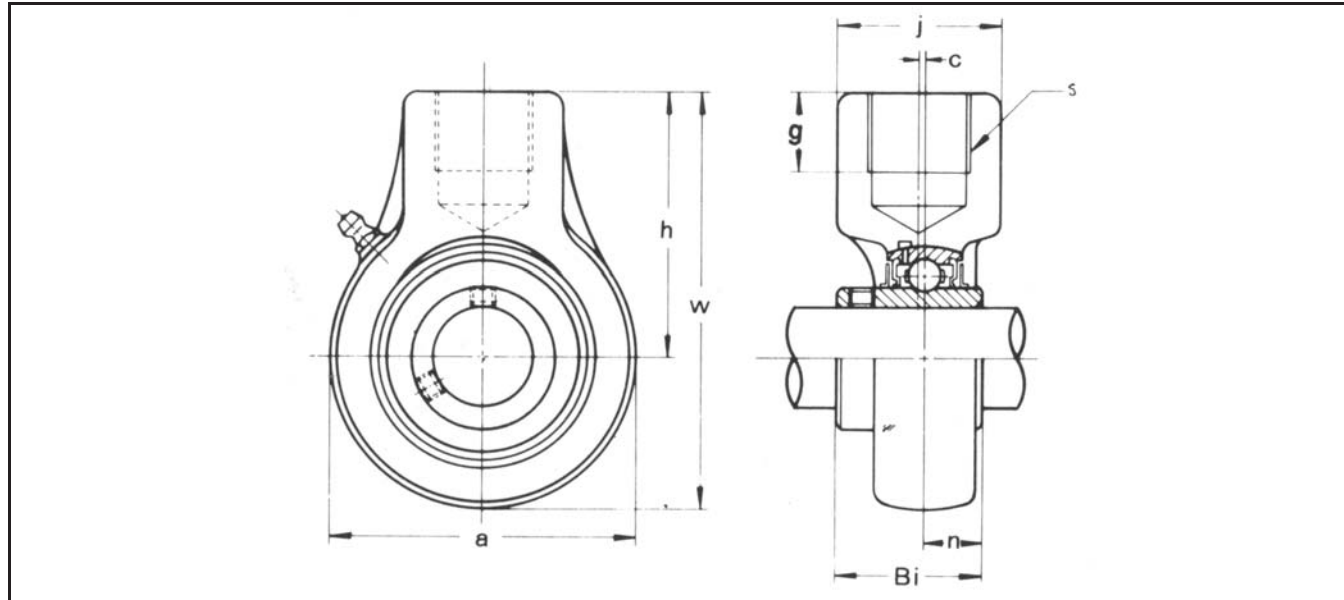
Bearing No. : **UCECH211**

Dimensions

Bi = 55.6

n = 22.2

c = 6



Dimensions

d1 = 55

a = 126

w = 160

h = 97

j = 60

s = PF 1 1/4

g = 28

Mass = 2.30 kg

Basic Dynamic Load Rating Cr : **44500** N

Basic Static Load Rating Cor : **26600** N

Limiting Speed ;

Grease Lubrication : - rpm

Oil Lubrication : - rpm

INNER RING OUTER RING

O.D.Surface Runout with Side : -

Axial Runout with Bore : -

Axial Runout with Raceway : -

Width Variation : -

Radial Runout : -