

ROECO

# Bearing Data

## Ball Bearing Units

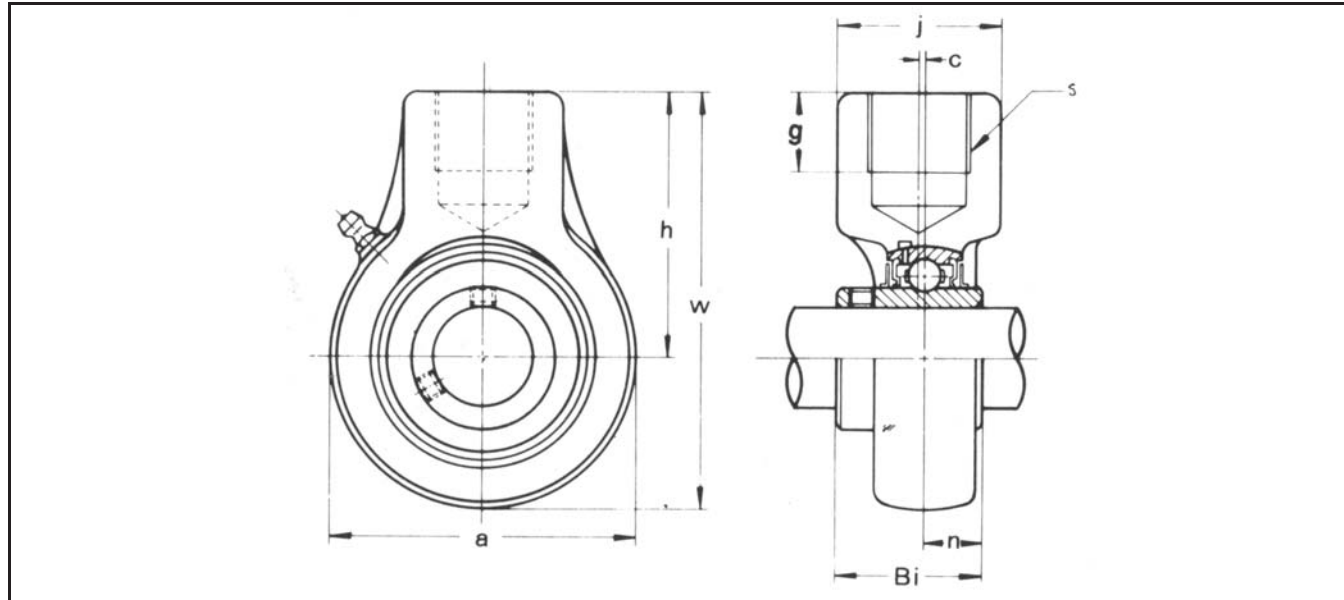
Bearing No. : **UCECH210**

Dimensions

Bi = 51.6

n = 19

c = 5



Dimensions

d1 = 50

a = 114

w = 140

h = 83

j = 48

s = PF 1

g = 21

Mass = 1.90 kg

Basic Dynamic Load Rating Cr : **36000** N

Basic Static Load Rating Cor : **21000** N

Limiting Speed ;

Grease Lubrication : - rpm

Oil Lubrication : - rpm

INNER RING OUTER RING

O.D.Surface Runout with Side : -

Axial Runout with Bore : -

Axial Runout with Raceway : -

Width Variation : -

Radial Runout : -