

ROECO

Bearing Data

Ball Bearing Units

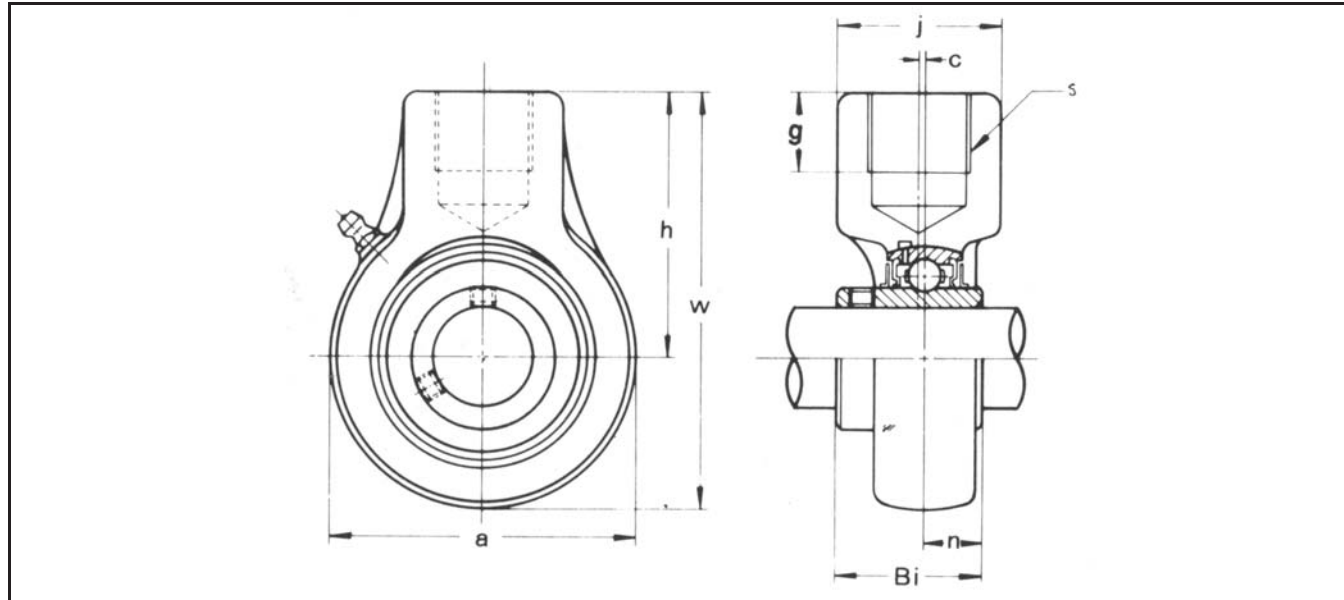
Bearing No. : **UCECH208**

Dimensions

Bi = 49.2

n = 19

c = 2



Dimensions

d1 = 40

a = 96

w = 121

h = 73

j = 40

s = PF 3/4

g = 19

Mass = 1.40 kg

Basic Dynamic Load Rating Cr : **29700 N**

Basic Static Load Rating Cor : **16500 N**

Limiting Speed ;

Grease Lubrication : - rpm

Oil Lubrication : - rpm

INNER RING OUTER RING

O.D.Surface Runout with Side : -

Axial Runout with Bore : -

Axial Runout with Raceway : -

Width Variation : -

Radial Runout : -