

ROECO

Bearing Data

Ball Bearing Units

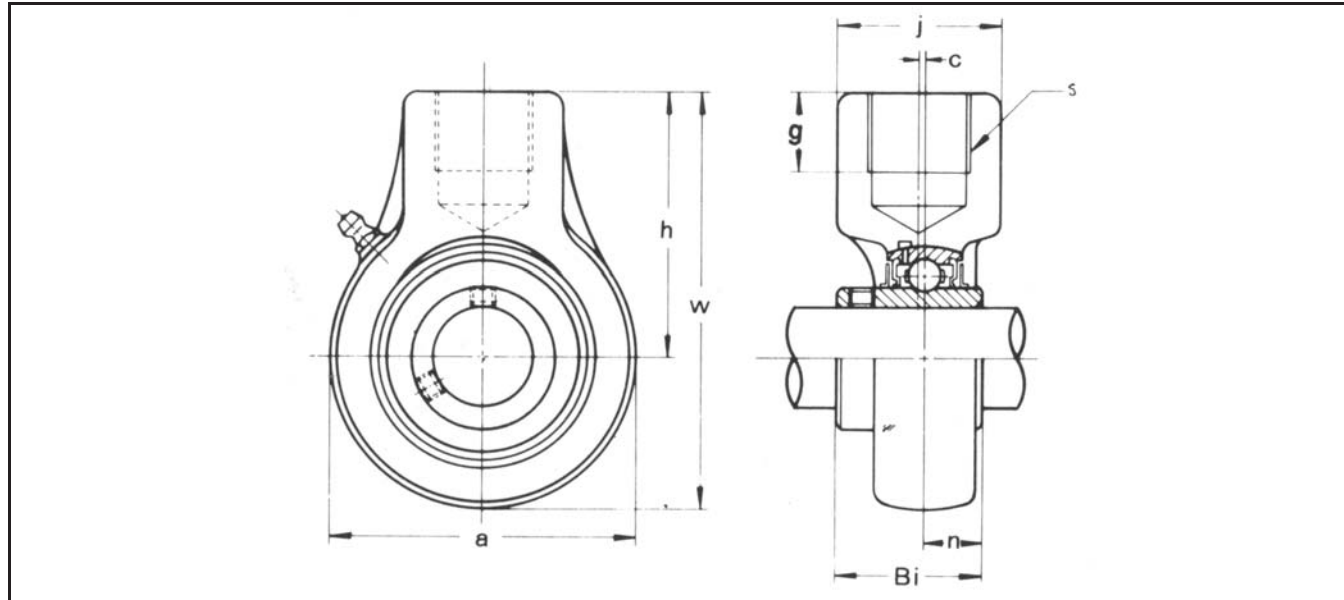
Bearing No. : **UCECH206**

Dimensions

Bi = 38.1

n = 15.9

c = 0



Dimensions

d1 = 30

a = 80

w = 104

h = 64

j = 40

s = PF 3/4

g = 19

Mass = 0.91 kg

Basic Dynamic Load Rating Cr : **19800 N**

Basic Static Load Rating Cor : **10500 N**

Limiting Speed ;

Grease Lubrication : - rpm

Oil Lubrication : - rpm

INNER RING OUTER RING

O.D.Surface Runout with Side : -

Axial Runout with Bore : -

Axial Runout with Raceway : -

Width Variation : -

Radial Runout : -