

ROECO

Bearing Data

Ball Bearing Units

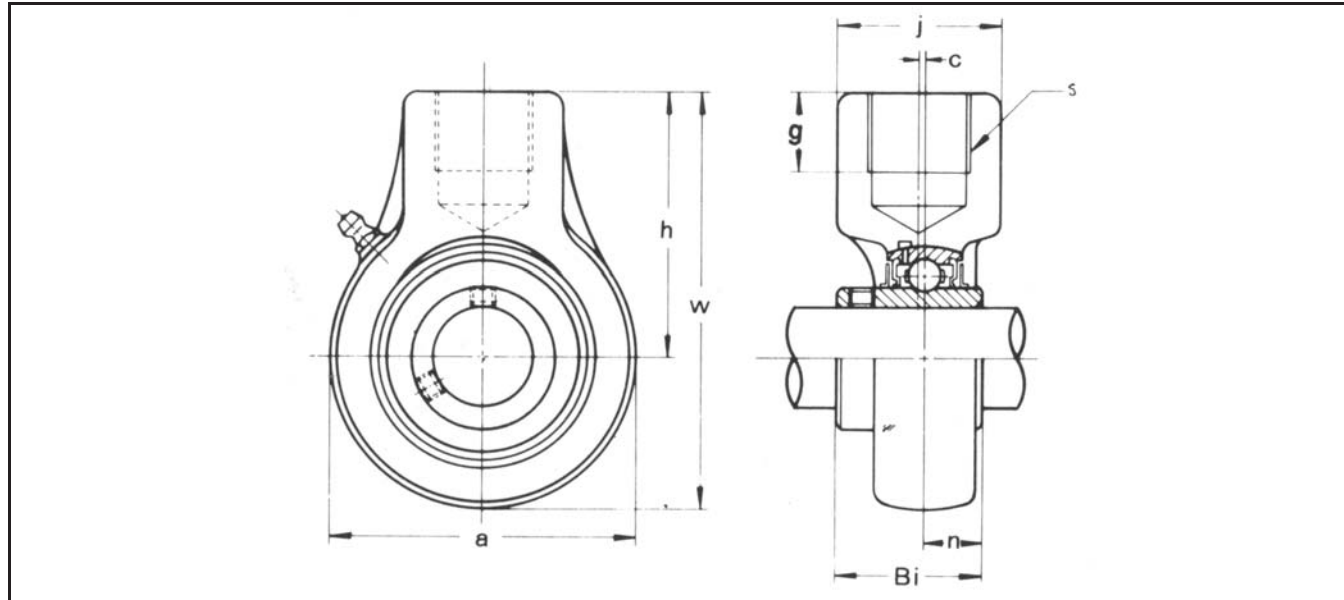
Bearing No. : **UCECH205**

Dimensions

Bi = 34

n = 14.3

c = 0



Dimensions

d1 = 25

a = 70

w = 99

h = 64

j = 40

s = PF 3/4

g = 19

Mass = 0.74 kg

Basic Dynamic Load Rating Cr :	14300N			
Basic Static Load Rating Cor :	7300 N	O.D.Surface Runout with Side :		-
Limiting Speed ;		Axial Runout with Bore :	-	
Grease Lubrication :	- rpm	Axial Runout with Raceway :	-	-
Oil Lubrication :	- rpm	Width Variation :	-	-
		Radial Runout :	-	-