

ROECO

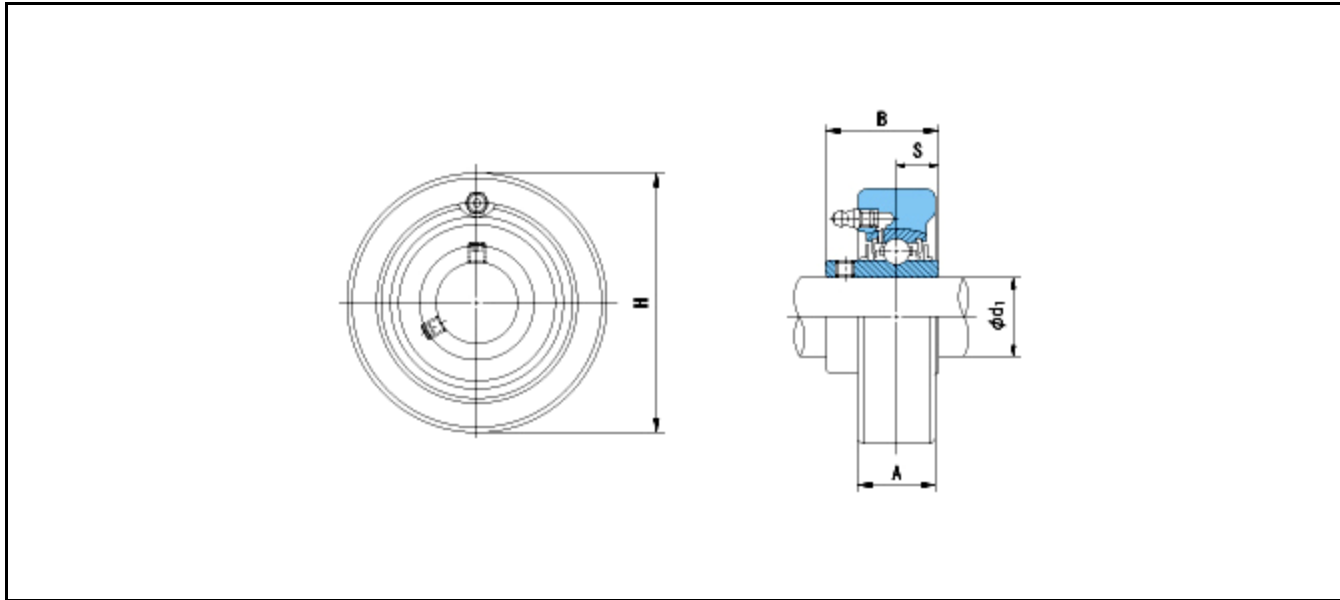
# Bearing Data

## Ball Bearing Units

Bearing No. : **UCCX08**

Dimensions

H = 120



Dimensions

d1 = 40

A = 38

B = 49.2

S = 19

Mass = 2.3 kg

|                                |                |                                |                   |                   |
|--------------------------------|----------------|--------------------------------|-------------------|-------------------|
| Basic Dynamic Load Rating Cr : | <b>33000 N</b> |                                | <b>INNER RING</b> | <b>OUTER RING</b> |
| Basic Static Load Rating Cor : | <b>20500 N</b> | O.D.Surface Runout with Side : | -                 | -                 |
| Limiting Speed ;               |                | Axial Runout with Bore :       | -                 | -                 |
|                                |                | Axial Runout with Raceway :    | -                 | -                 |
| Grease Lubrication :           | - rpm          | Width Variation :              | -                 | -                 |
| Oil Lubrication :              | - rpm          | Radial Runout :                | -                 | -                 |