

ROECO

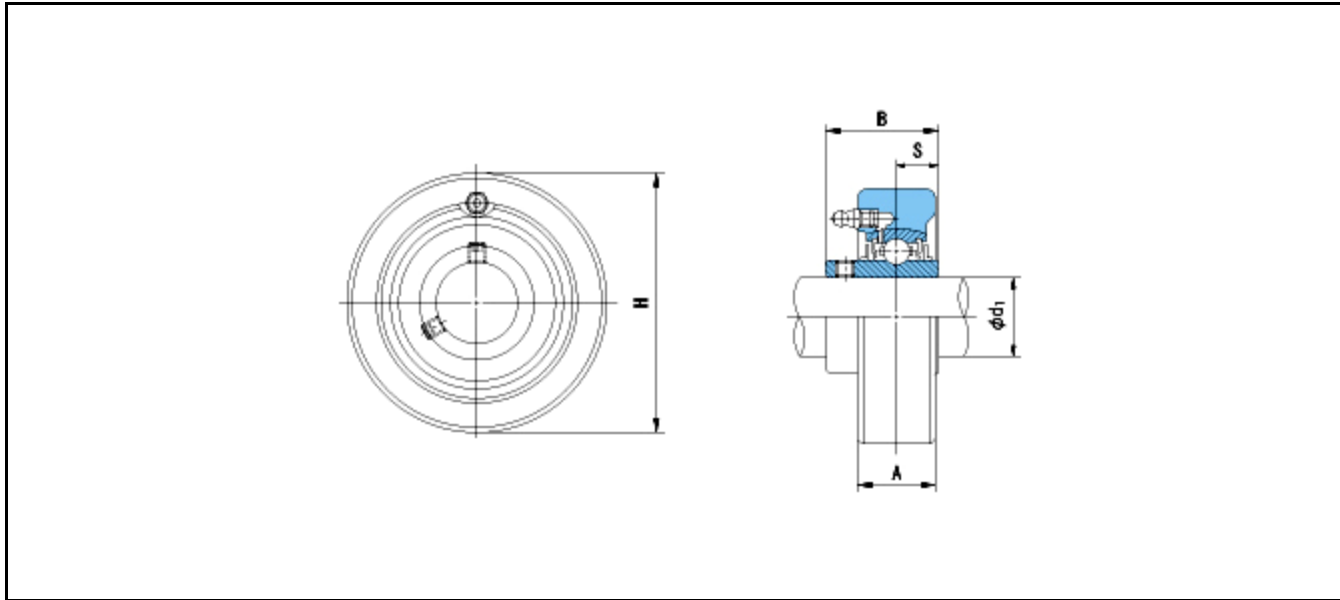
Bearing Data

Ball Bearing Units

Bearing No. : **UCCX07**

Dimensions

H = 110



Dimensions

d1 = 35

A = 34

B = 49.2

S = 19

Mass = 1.9 kg

Basic Dynamic Load Rating Cr :	29300 N			
Basic Static Load Rating Cor :	17900 N			
Limiting Speed ;				
Grease Lubrication :	- rpm			
Oil Lubrication :	- rpm			
			INNER RING	OUTER RING
		O.D.Surface Runout with Side :	-	-
		Axial Runout with Bore :	-	-
		Axial Runout with Raceway :	-	-
		Width Variation :	-	-
		Radial Runout :	-	-