

ROECO

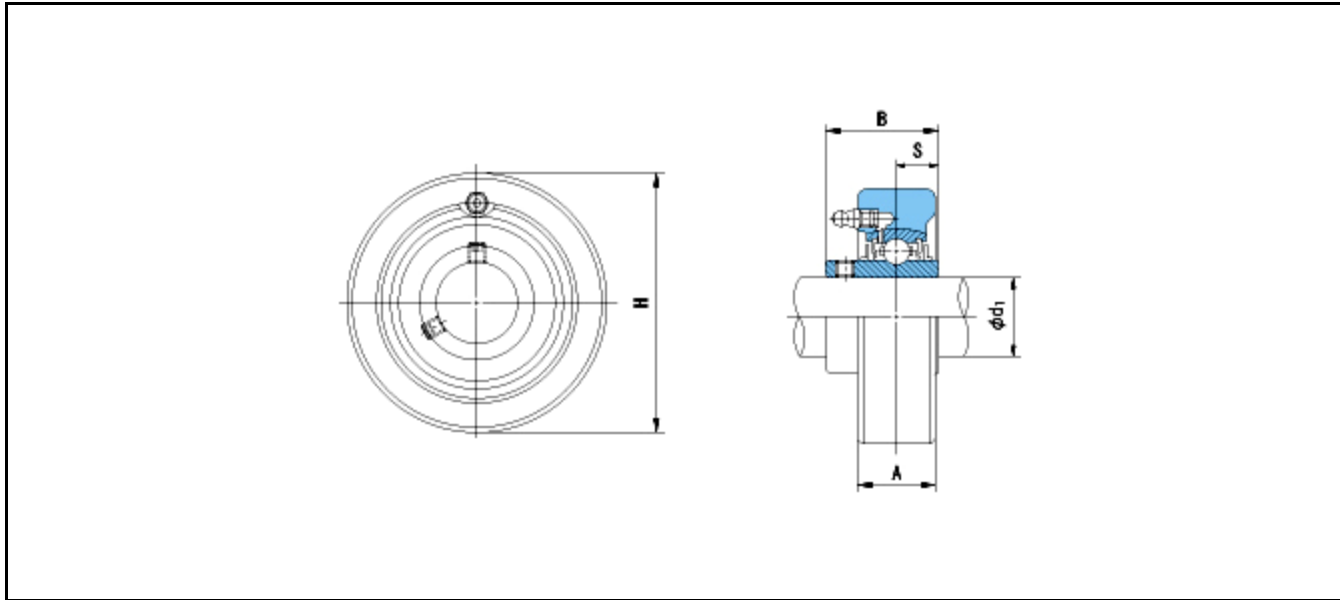
Bearing Data

Ball Bearing Units

Bearing No. : **UCCX06**

Dimensions

H = 100



Dimensions

d1 = 30

A = 30

B = 42.9

S = 17.5

Mass = 1.3 kg

Basic Dynamic Load Rating Cr :	25900 N			
Basic Static Load Rating Cor :	15400 N	O.D.Surface Runout with Side :		-
Limiting Speed ;		Axial Runout with Bore :	-	
Grease Lubrication :	- rpm	Axial Runout with Raceway :	-	-
Oil Lubrication :	- rpm	Width Variation :	-	-
		Radial Runout :	-	-