

ROECO

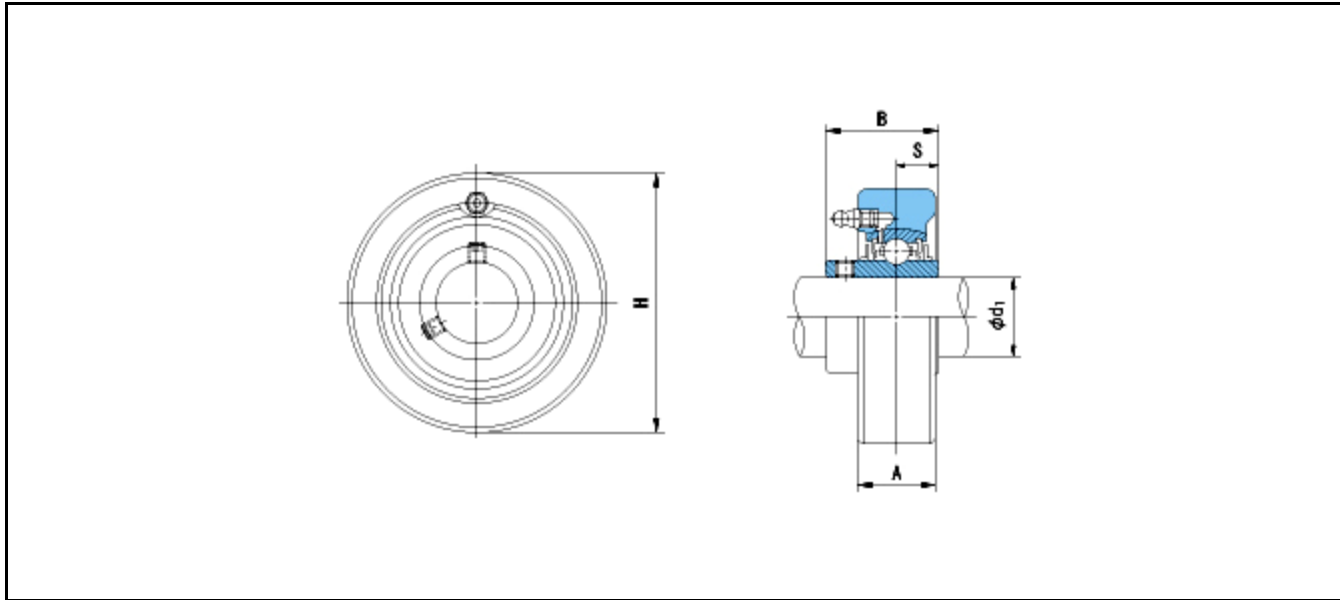
Bearing Data

Ball Bearing Units

Bearing No. : **UCC326**

Dimensions

H = 340



Dimensions

d1 = 130

A = 100

B = 135

S = 54

Mass = 42.2 kg

Basic Dynamic Load Rating Cr :	229000 N			
Basic Static Load Rating Cor :	214300 N	O.D.Surface Runout with Side :		-
Limiting Speed ;		Axial Runout with Bore :	-	
Grease Lubrication :	- rpm	Axial Runout with Raceway :	-	-
Oil Lubrication :	- rpm	Width Variation :	-	-
		Radial Runout :	-	-