

ROECO

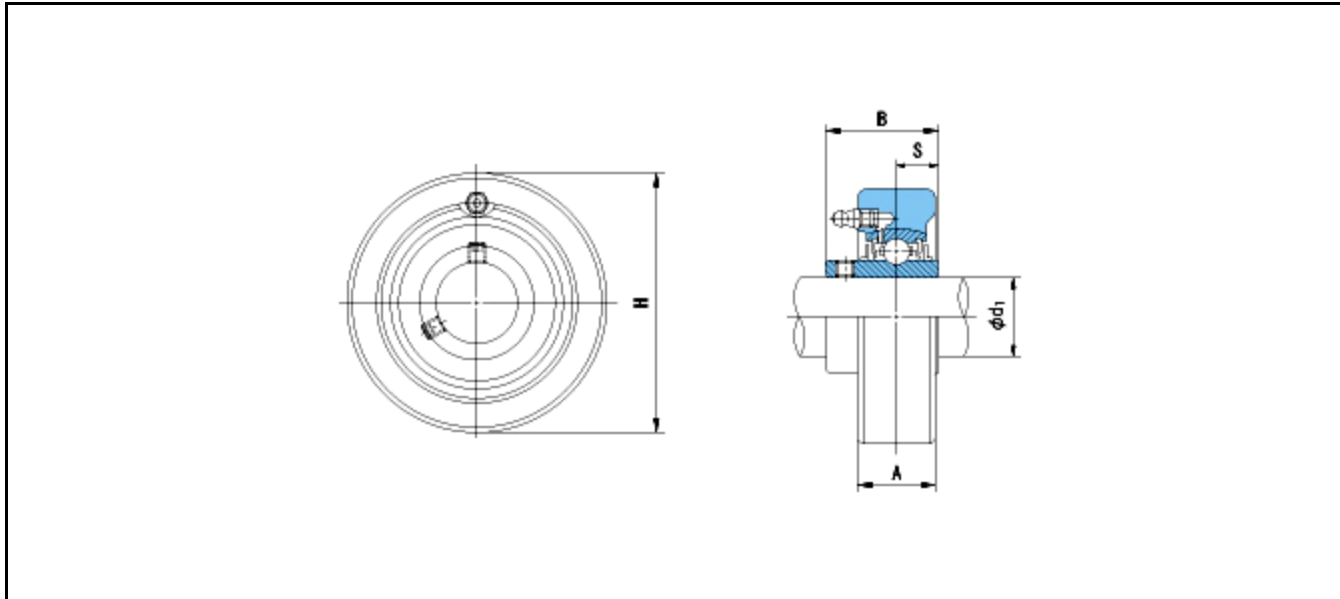
# Bearing Data

## Ball Bearing Units

Bearing No. : **UCC319**

Dimensions

H = 240



Dimensions

d1 = 95

A = 72

B = 103

S = 41

Mass = 15.2 kg

|                                |                 |                                |   |   |
|--------------------------------|-----------------|--------------------------------|---|---|
| Basic Dynamic Load Rating Cr : | <b>153000 N</b> |                                |   |   |
| Basic Static Load Rating Cor : | <b>118400 N</b> | O.D.Surface Runout with Side : |   | - |
| Limiting Speed ;               |                 | Axial Runout with Bore :       | - | - |
| Grease Lubrication :           | - rpm           | Axial Runout with Raceway :    | - | - |
| Oil Lubrication :              | - rpm           | Width Variation :              | - | - |
|                                |                 | Radial Runout :                | - | - |