

ROECO

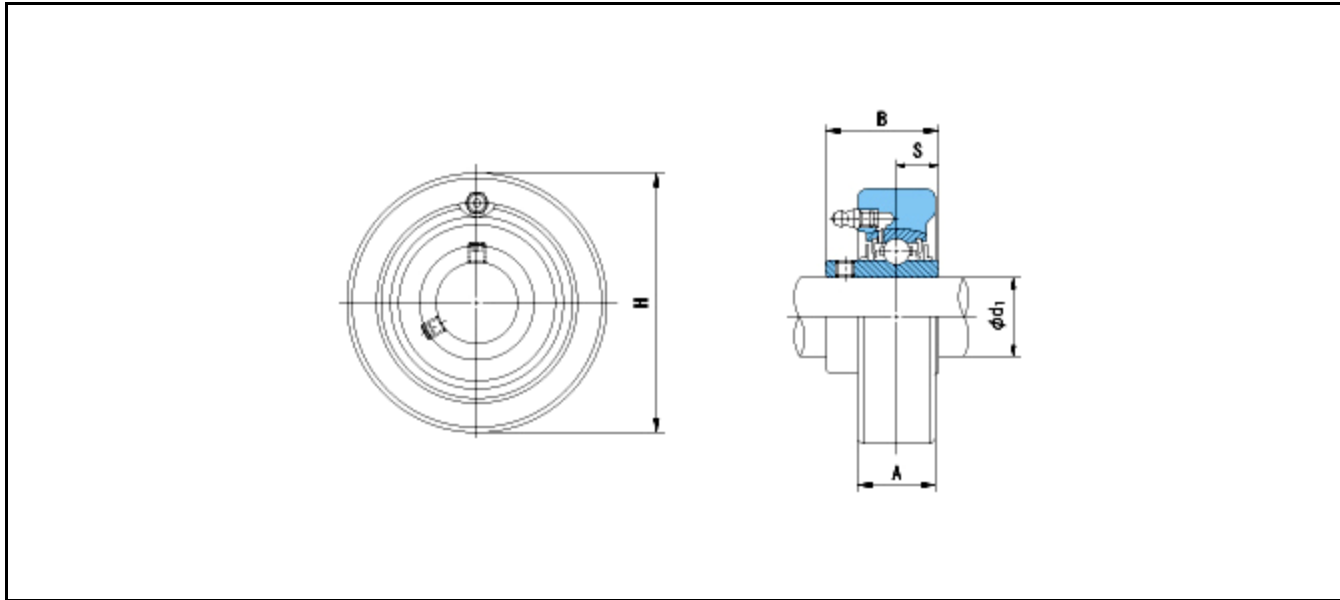
# Bearing Data

## Ball Bearing Units

Bearing No. : **UCC318**

Dimensions

H = 225



Dimensions

d1 = 90

A = 66

B = 96

S = 40

Mass = 12.3 kg

Basic Dynamic Load Rating Cr :	<b>143000 N</b>				
Basic Static Load Rating Cor :	<b>107200 N</b>	O.D.Surface Runout with Side :			-
Limiting Speed ;		Axial Runout with Bore :			-
Grease Lubrication :	- rpm	Axial Runout with Raceway :			-
Oil Lubrication :	- rpm	Width Variation :			-
		Radial Runout :			-