

ROECO

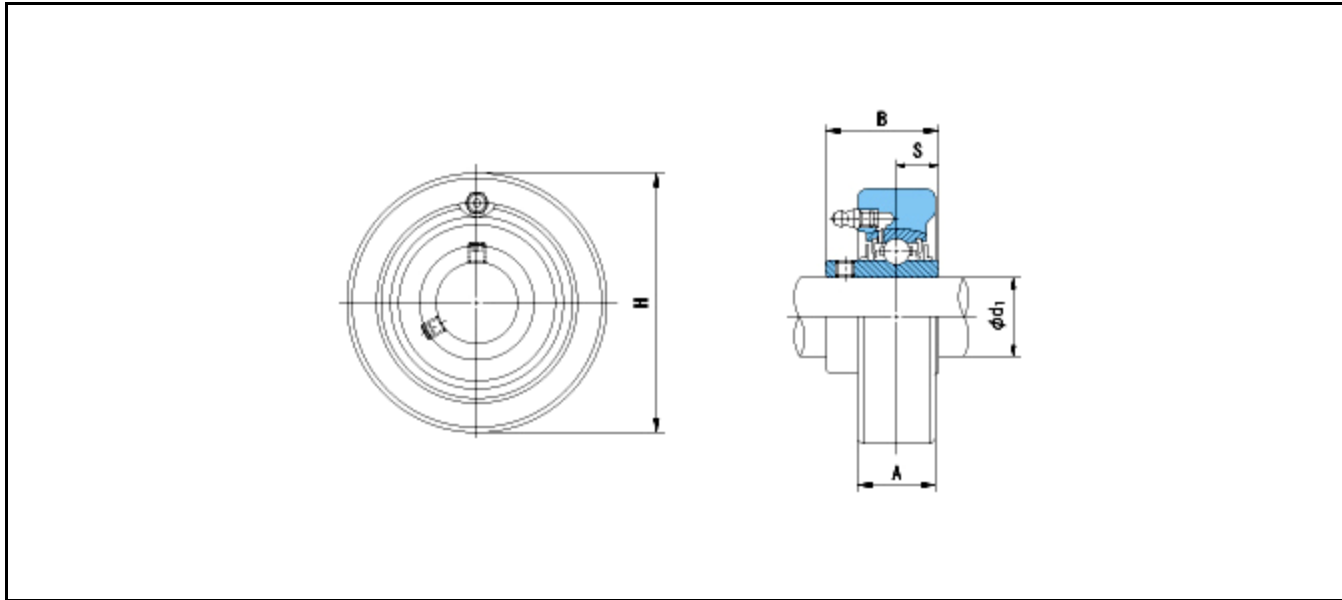
# Bearing Data

## Ball Bearing Units

Bearing No. : **UCC310**

Dimensions

H = 140



Dimensions

d1 = 50

A = 40

B = 61

S = 22

Mass = 3.3 kg

Basic Dynamic Load Rating Cr :	<b>61500 N</b>		<b>INNER RING</b>	<b>OUTER RING</b>
Basic Static Load Rating Cor :	<b>38200 N</b>	O.D.Surface Runout with Side :		-
Limiting Speed ;		Axial Runout with Bore :	-	-
		Axial Runout with Raceway :	-	-
Grease Lubrication :	- rpm	Width Variation :	-	-
Oil Lubrication :	- rpm	Radial Runout :	-	-