

ROECO

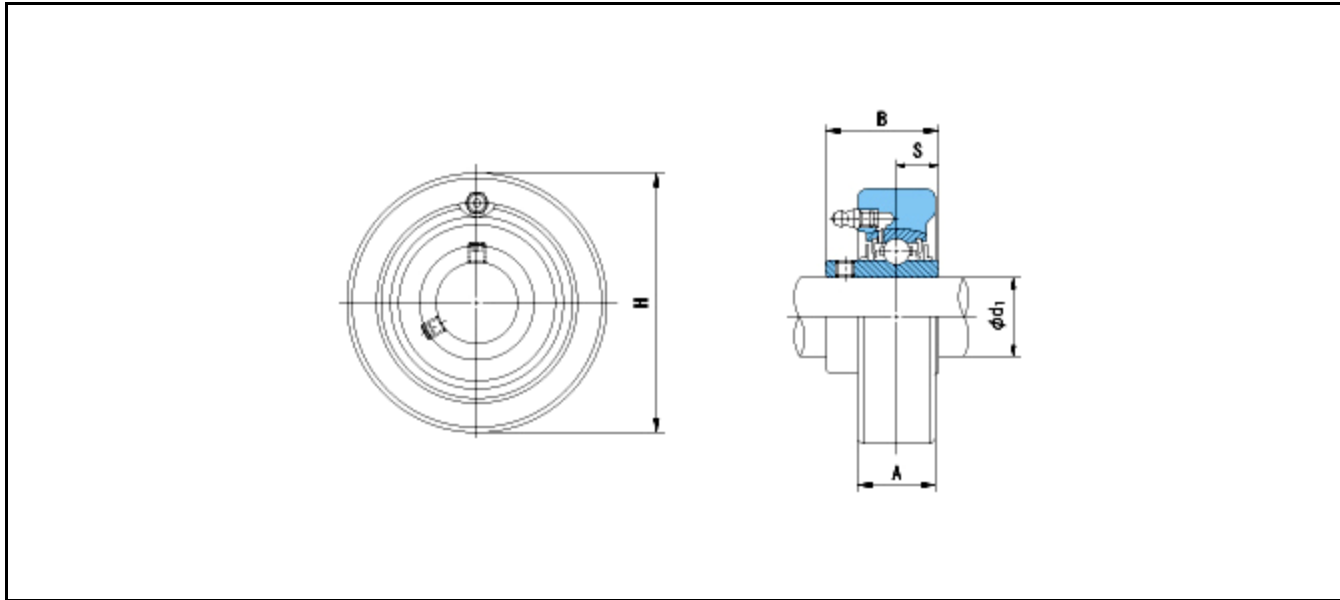
# Bearing Data

## Ball Bearing Units

Bearing No. : **UCC309**

Dimensions

H = 130



Dimensions

d1 = 45

A = 38

B = 57

S = 22

Mass = 2.7 kg

Basic Dynamic Load Rating Cr :	<b>51500 N</b>			<b>INNER RING</b>	<b>OUTER RING</b>
Basic Static Load Rating Cor :	<b>29500 N</b>	O.D.Surface Runout with Side :			-
Limiting Speed ;		Axial Runout with Bore :		-	
Grease Lubrication :	- rpm	Axial Runout with Raceway :		-	-
Oil Lubrication :	- rpm	Width Variation :		-	-
		Radial Runout :		-	-