

ROECO

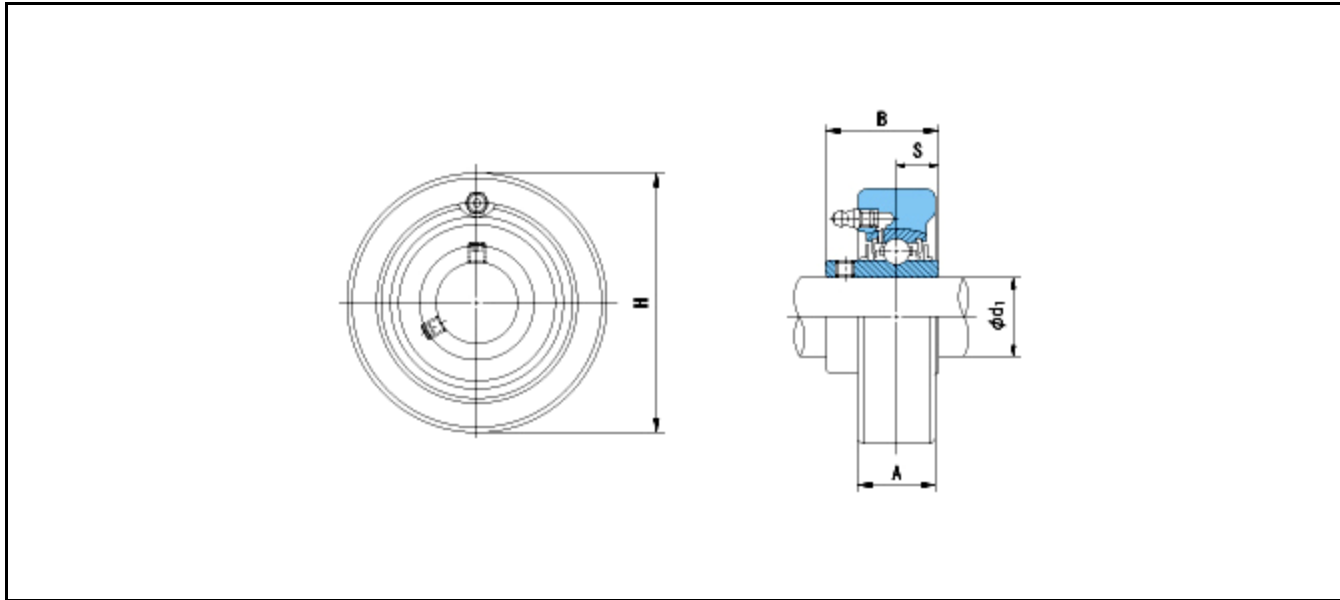
Bearing Data

Ball Bearing Units

Bearing No. : **UCC211**

Dimensions

H = 125



Dimensions

d1 = 55

A = 35

B = 55.6

S = 22.2

Mass = 2.1 kg

Basic Dynamic Load Rating Cr :	43000 N			
Basic Static Load Rating Cor :	29400 N	O.D.Surface Runout with Side :		-
Limiting Speed ;		Axial Runout with Bore :	-	
Grease Lubrication :	- rpm	Axial Runout with Raceway :	-	-
Oil Lubrication :	- rpm	Width Variation :	-	-
		Radial Runout :	-	-