

ROECO

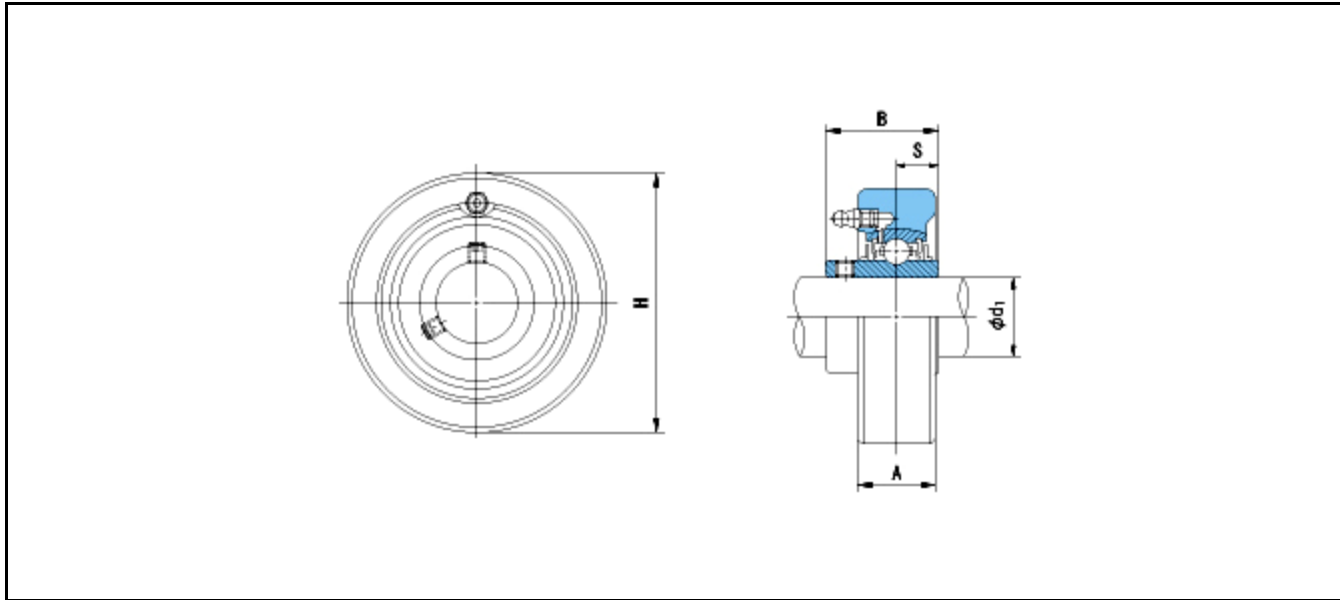
# Bearing Data

## Ball Bearing Units

Bearing No. : **UCC210**

Dimensions

H = 120



Dimensions

d1 = 50  
A = 33  
B = 51.6  
S = 19  
Mass = 1.9 kg

Basic Dynamic Load Rating Cr :	<b>35500 N</b>			
Basic Static Load Rating Cor :	<b>23200 N</b>	O.D.Surface Runout with Side :		-
Limiting Speed ;		Axial Runout with Bore :	-	
Grease Lubrication :	- rpm	Axial Runout with Raceway :	-	-
Oil Lubrication :	- rpm	Width Variation :	-	-
		Radial Runout :	-	-