

ROECO

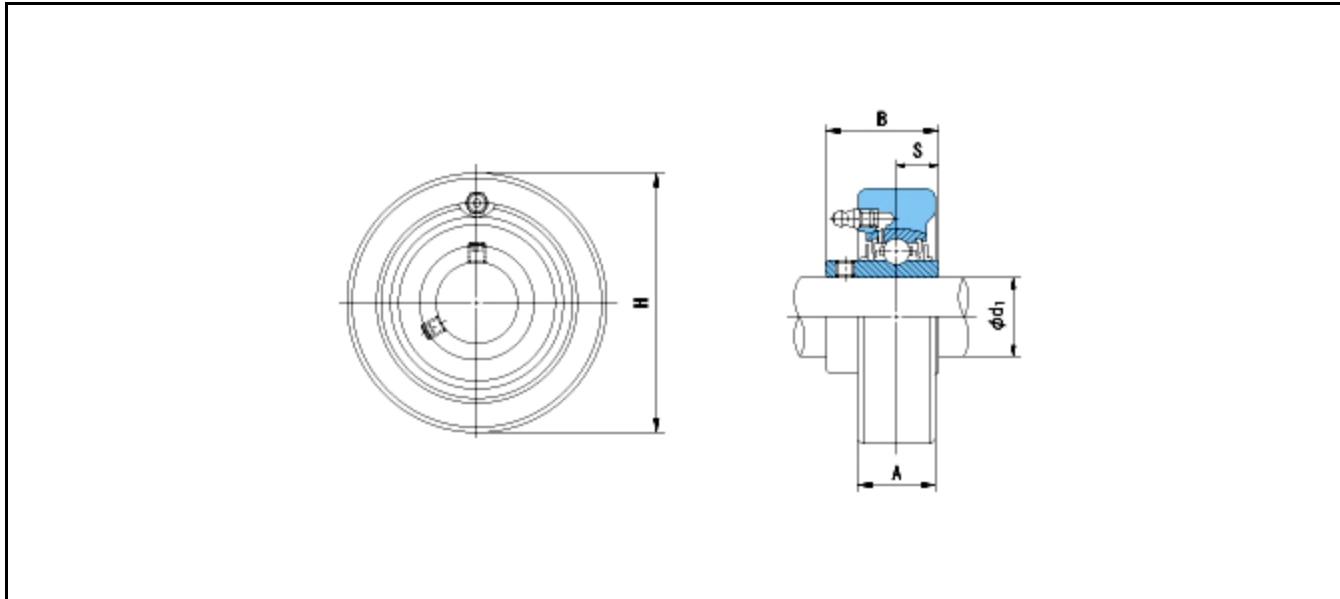
Bearing Data

Ball Bearing Units

Bearing No. : **UCC209**

Dimensions

H = 110



Dimensions

d1 = 45

A = 31

B = 49.2

S = 19

Mass = 1.5 kg

Basic Dynamic Load Rating Cr :	33000 N				
Basic Static Load Rating Cor :	20500 N	O.D.Surface Runout with Side :			-
Limiting Speed ;		Axial Runout with Bore :			-
Grease Lubrication :	- rpm	Axial Runout with Raceway :			-
Oil Lubrication :	- rpm	Width Variation :			-
		Radial Runout :			-